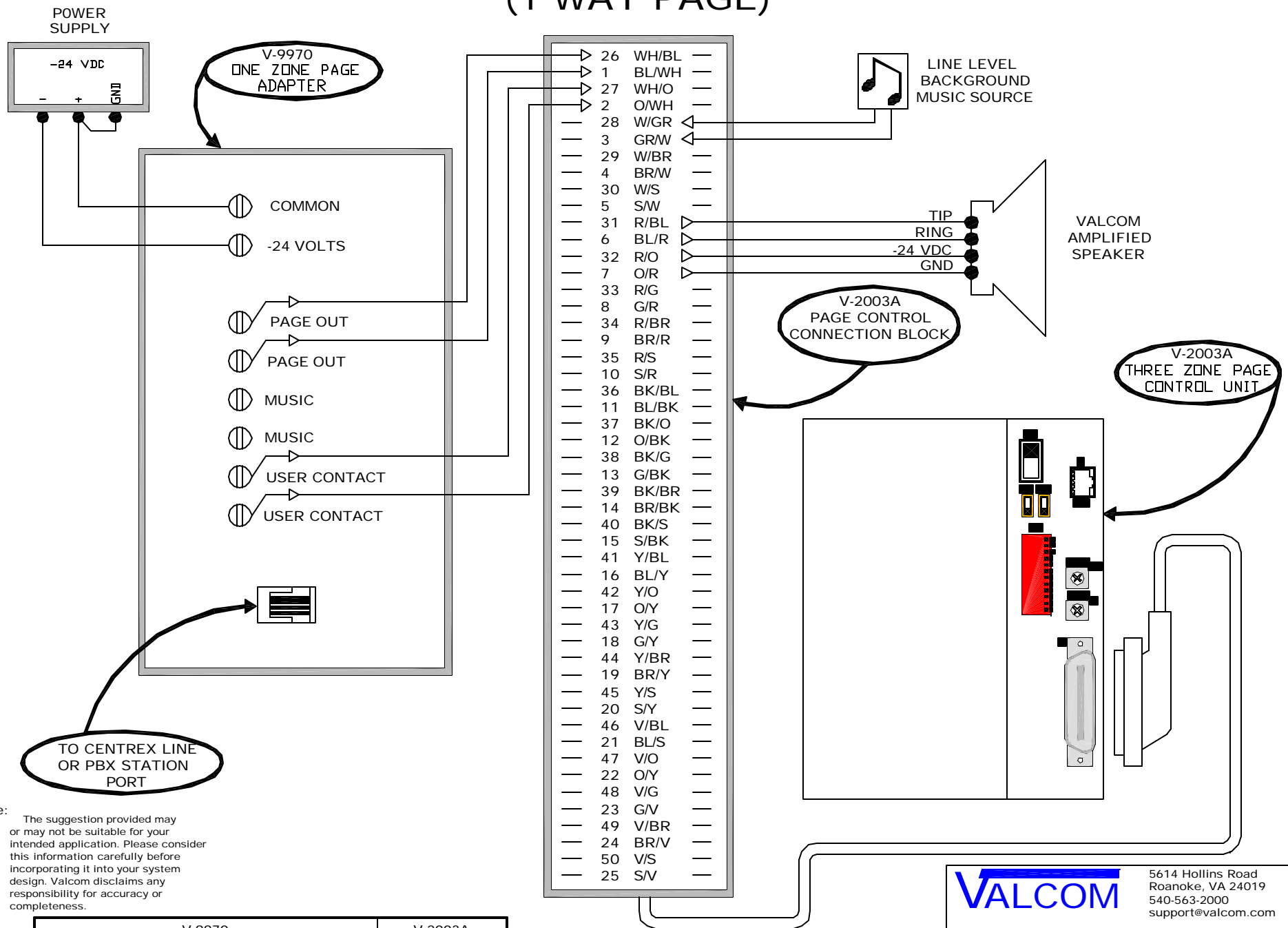


# V-9970 TO V-2003A CONNECTIONS (1 WAY PAGE)



**Note:** The suggestion provided may or may not be suitable for your intended application. Please consider this information carefully before incorporating it into your system design. Valcom disclaims any responsibility for accuracy or completeness.

	V-9970								V-2003A
SWITCH	1	2	3	4	5	6	7	8	SW2
SETTING	OFF	ON	OFF	OFF	ON	OFF	OFF	ON	OFF

**VALCOM**  
 5614 Hollins Road  
 Roanoke, VA 24019  
 540-563-2000  
 support@valcom.com

**T9970>2003A**