

V-PELD222

Protective Cover for VIP-LD222 Dual LCD Display Speaker with Flashers

V-PELD221C

Protective Cover for VIP-LD221C LCD Display Speaker with Flashers

INTRODUCTION

The V-PELD222 and V-PELD221C Protective Covers are optional accessories for the Valcom VIP-LD222 Dual LCD Display Speaker with Flashers and VIP-LD221C LCD Display Speaker with Flashers, respectively. They are designed to provide a protective barrier in front of the Display Speaker without affecting the visibility of the Display. The Protective Cover is constructed of durable, ¼" (nominal) clear polycarbonate plastic.

INSTALLATION

V-PELD222

Adhesive-backed rubber pads are provided to prevent the Protective Cover from contacting the LCD panel. Six pads are provided with the V-PELD222, three for each side of the Display.

Before mounting the Cover to the Display, remove the paper strip on the adhesive side and apply three rubber pads to each side of the metal housing of the VIP-LD222 in the positions shown in Figures 1 and 2 (one top-center, one each on either side of the Valcom logo).

Ceiling Mounted VIP-LD222 (Figure 1)

The Protective Cover mounting brackets are attached to the ceiling mounted VIP-LD222 using existing tapped screw holes in the case. Remove the four screws on each end of the Display, then use the included #6-32 100° flat head screws to attach the Protective Cover brackets to the Display.

Wall Mounted VIP-LD222 (Figure 2)

The Protective Cover mounting brackets are attached to the wall mounted VIP-LD222 using existing tapped screw holes in the case. Remove the four screws on each end of the Display, then use the included #6-32 100° flat head screws to attach the Protective Cover brackets to the Display. Note the bracket with the cutout for wiring connections is attached between the Display and the wall mount bracket.

The Protective Cover is shipped with plastic film covering each side to protect it from scratches. Remove this film and mount the Protective Cover to the brackets on the V-PELD222 using four #8-32 screws provided for each Cover. Note the speaker cutouts are located at the top of the Display.

V-PELD221C (Figure 3)

Adhesive-backed rubber pads are provided to prevent the Protective Cover from contacting the LCD panel. Three pads are provided with the V-PELD221C.

Before mounting the Cover to the Display, remove the paper strip on the adhesive side and apply the rubber pads to the front of the metal housing of the VIP-LD221C in the positions shown in Figure 3 (one top-center, one each on either side of the Valcom logo).

The Protective Cover mounting brackets are attached to the VIP-LD221C using existing screws in the case. Remove the two screws on each end of the Display and use them to attach the Protective Cover brackets to the Display.

The Protective Cover is shipped with plastic film covering each side to protect it from scratches. Remove this film and mount the Protective Cover to the brackets on the V-PELD221C using four #8-32 screws provided. Note the speaker cutouts are located at the top of the Display.

TECHNICAL ASSISTANCE

Assistance in troubleshooting is available from the factory. Call (540) 563-2000 for Technical Support or visit our website at <https://www.valcom.com>.

Valcom equipment is not field repairable. Valcom, Inc. maintains service facilities in Roanoke, VA. Should repairs be necessary, attach a tag to the unit clearly stating company name, address, phone number, contact person, and the nature of the problem. Send the unit to:

**Repair and Return Dept.
Valcom, Inc.
5614 Hollins Road
Roanoke, VA 24019-5056**

WARRANTY

Warranty information can be found on our website at www.valcom.com/warranty

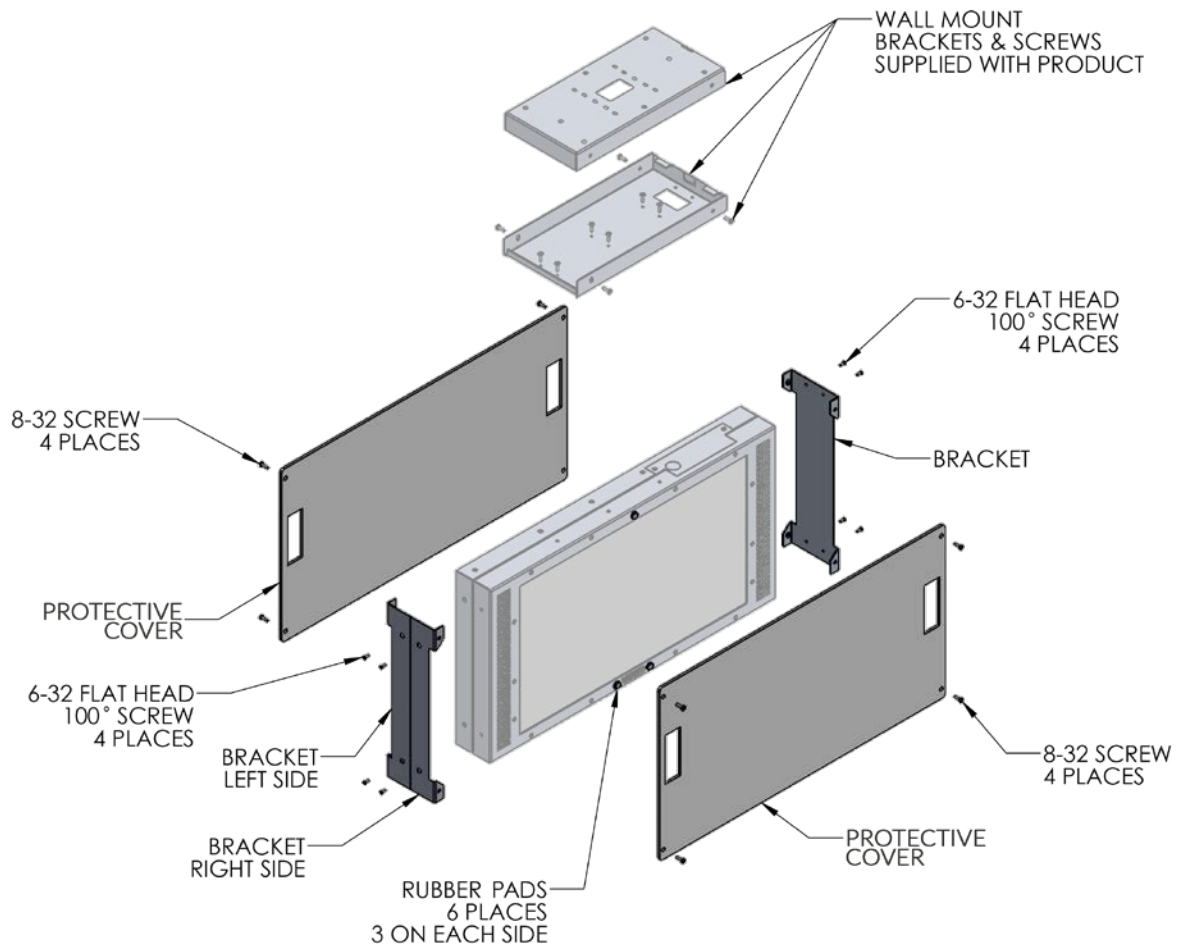


Figure 1. Protective Cover Assembly for Ceiling Mounted VIP-LD222

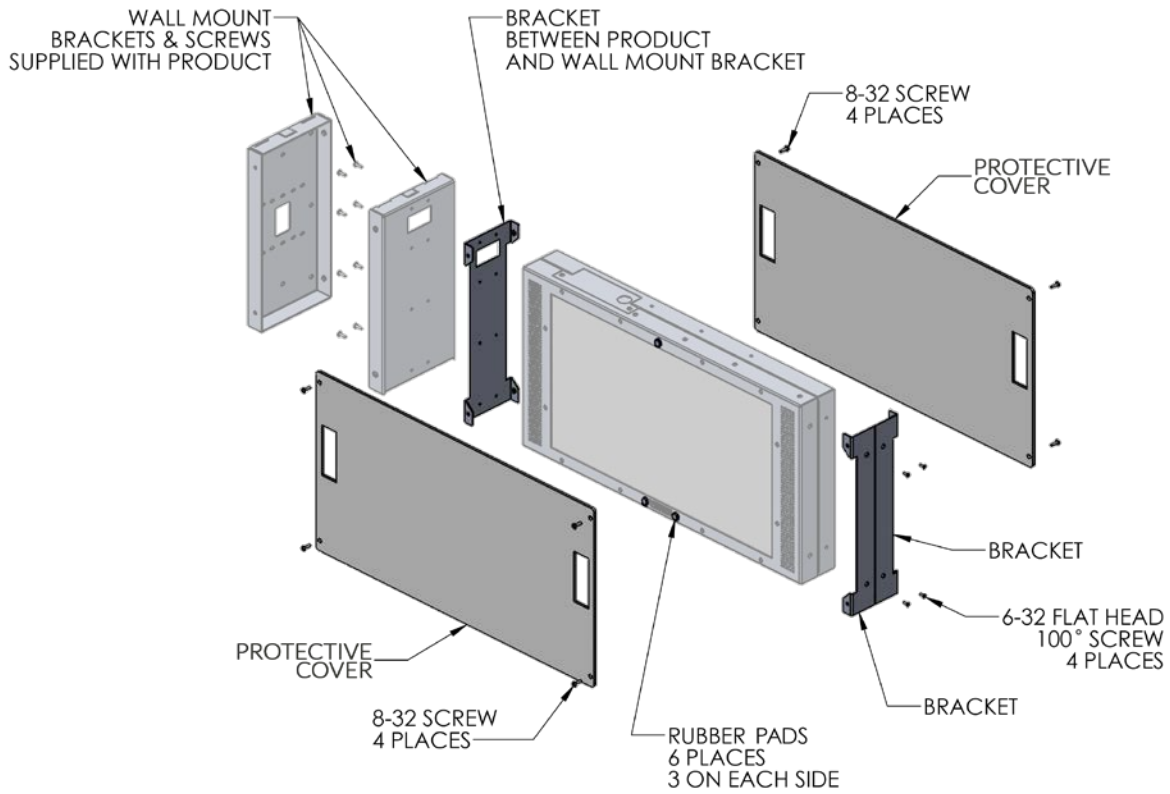


Figure 2. Protective Cover Assembly for Wall Mounted VIP-LD222

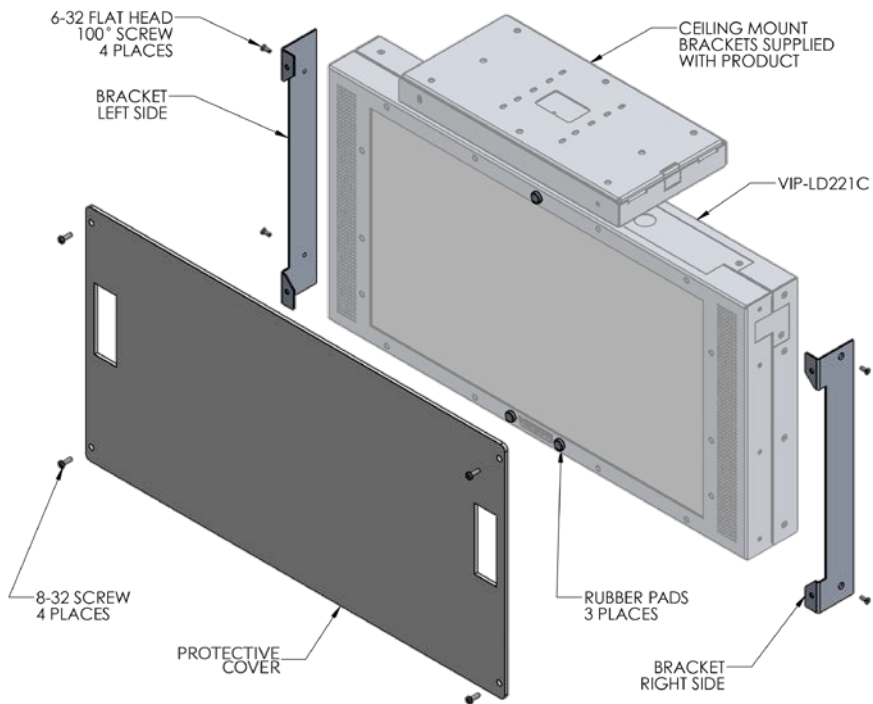


Figure 3. Protective Cover Assembly for Ceiling Mounted VIP-LD221C