



### DESCRIPTION

The IX-MV7-HB-L is an IP master station with a 7" color touchscreen and t-coil hearing aid supported handset. It can be wall or desk mounted (desk stand included). The IX-MV7-HB-L connects to a network using Cat-5e/6 cable and is SIP compliant. Audio and video of active conversations can be captured and stored on a microSD™ card. Each master station has an address book of 500 stations and can monitor a single station or scan monitor stations within the address book. The master station offers line supervision and a scheduled device check of stations in its address book. It has the ability to page all stations or groups of stations and offers bell scheduling with 50 events per day.

The master station has eight programmable speed dial buttons that can be used to call, page, monitor, or control a contact closure. It has a built-in camera with privacy shutter. The master station can view any intercom's camera, as well as an associated ONVIF® Profile S camera, by using the Picture-in-Picture (PIP) function. It has the ability to release the door associated with the station that is in communication. Stations can be called by using the directory or by direct dialing the station's number.

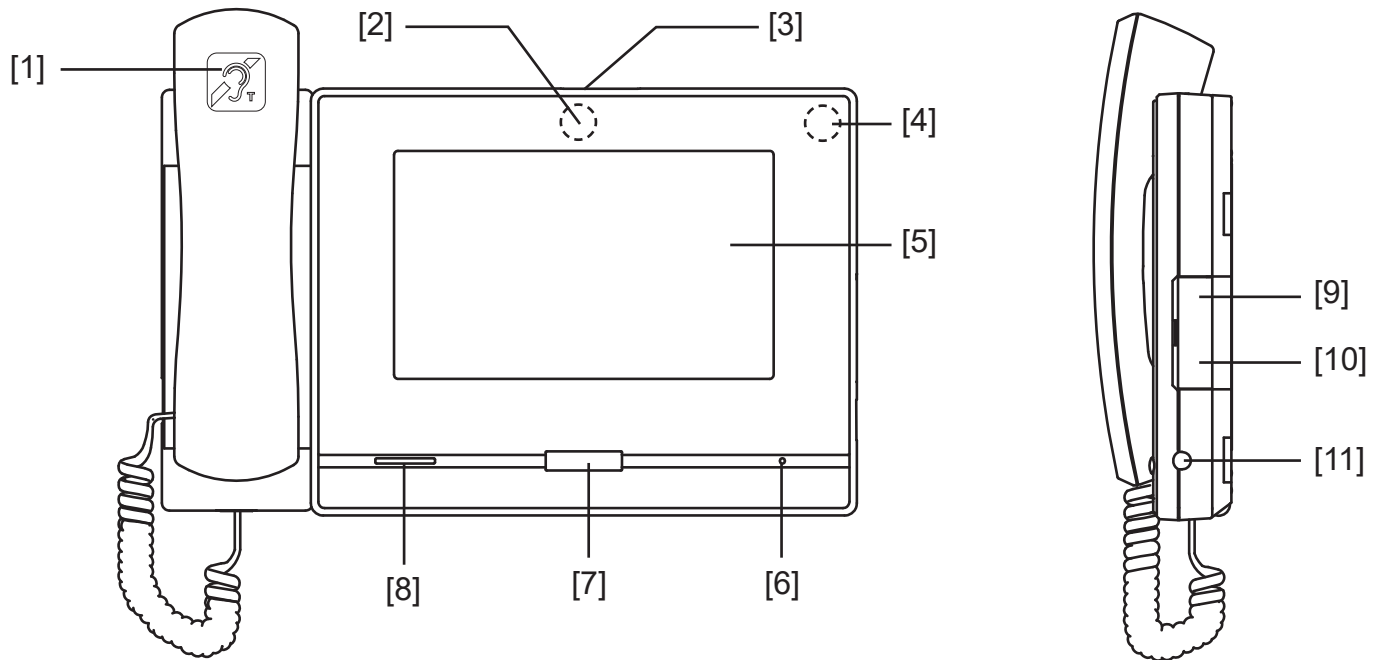
### FEATURES

- T-coil hearing aid supported handset
- 7" TFT color LCD touchscreen
- Fixed video camera with privacy shutter
- SIP 2.0 compliant
- 500 station address book
- ONVIF® Profile S compliant
- Multi-angled desk stand (30°, 45°, 60°)
- Slot for microSD™ card (not provided by Aiphone)
- 802.3af PoE
- Two contact outputs, four trigger inputs
- 8Ω, 0.5W speaker output
- 600Ω audio input

# IX-MV7-HB-L

## IP Master Station with T-Coil Supported Handset

### FEATURE CALL-OUT:



### FEATURE CALL-OUT DEFINITIONS

- [1] T-Coil supported handset
- [2] Camera
- [3] Privacy shutter (on top)
- [4] Status indicator light (orange/blue)
- [5] 7" touchscreen (LCD)
- [6] Microphone
- [7] Home button
- [8] Speaker
- [9] Reset button (under door)
- [10] Slot for microSD™ card (under door)
- [11] 3.5mm stereo mini jack

### SPECIFICATIONS

Power Source:	PoE (IEEE 802.3af class 0)
Power Draw:	4.32W
Camera:	1/3" CMOS 720p
Min. illumination:	5 Lux
Audio Codec:	G.711 (μ-law, A law), G.722
Video Codec:	H.264/AVC, Motion JPEG
Protocols:	IPv4, IPv6, TCP, UDP, SIP, HTTP, HTTPS, RTSP, RTP, RTCP, IGMP, MLD, SMTP, FTP, DHCP, NTP
Port Security:	IEEE 802.1X
Operating Temp:	32° ~ 104°F (0° ~ 40°C)
Dimensions:	8-1/16" H x 11" W x 2-3/16" D