

AXIS Q6225-LE PTZ Camera

Repainting Instructions

AXIS Q6225-LE PTZ Camera

Impact on warranty

Impact on warranty

This product is approved for repaint by Axis, provided that you follow the instructions in this document and at axis.com/warranty-implication-when-repainting.

Risks with repainting

There are several risks when disassembling or assembling an Axis product. There is always a certain yield loss during assembly. Training of operators and the use of correct tools mediates some of the problems but they can never be fully avoided. Some of the risks include:

ESD Damage – Always handle the product in an ESD safe environment. Even if precautions are taken there is always a risk of ESD damage. The damage can remain undetected and cause problems during the lifetime of the equipment.

Dust contamination – Opening a camera may expose the lens and sensor to dust or paint. Dust will affect the optical performance. Lenses need to be disassembled in a dust-free environment, preferably a cleanroom.

Paint overspray – Masking the different components of the equipment is critical. Failure to mask sensitive areas can cause problems with assembling the equipment. Any areas that are not painted at factory or have a different surface treatment than the rest of the parts (threads, ground and electrical contact surfaces) must also be masked to ensure function.

AXIS Q6225-LE PTZ Camera

Repaint the product

Repaint the product

Preparations

- If applicable, disassemble the device according to the instructions in this document.
- Clean all parts that will be repainted thoroughly to remove grease, dust, or oil.
- To ensure reassembly and functionality of the product, mask any openings (for example for screws, LED indicators, or microphones) before you paint.

Pretreatment of parts

Depending on the part material and type of paint applied at factory, different pretreatment should be done for the new paint to adhere as well as possible. Clean the parts properly to remove oil, grease and dust.

Powder coated parts – Use a primer. Alternatively, remove the original powder coating down to the base material, using fine sandpaper, and clean the parts before painting.

Anodised and chromated parts – Use a primer.

Uncoated stainless steel – No special pretreatment is needed, but make sure that the surface is clean before painting.

Plastic – Use a primer.

Material used in product

The material used in the product is Interpon D2015.

Disassembly

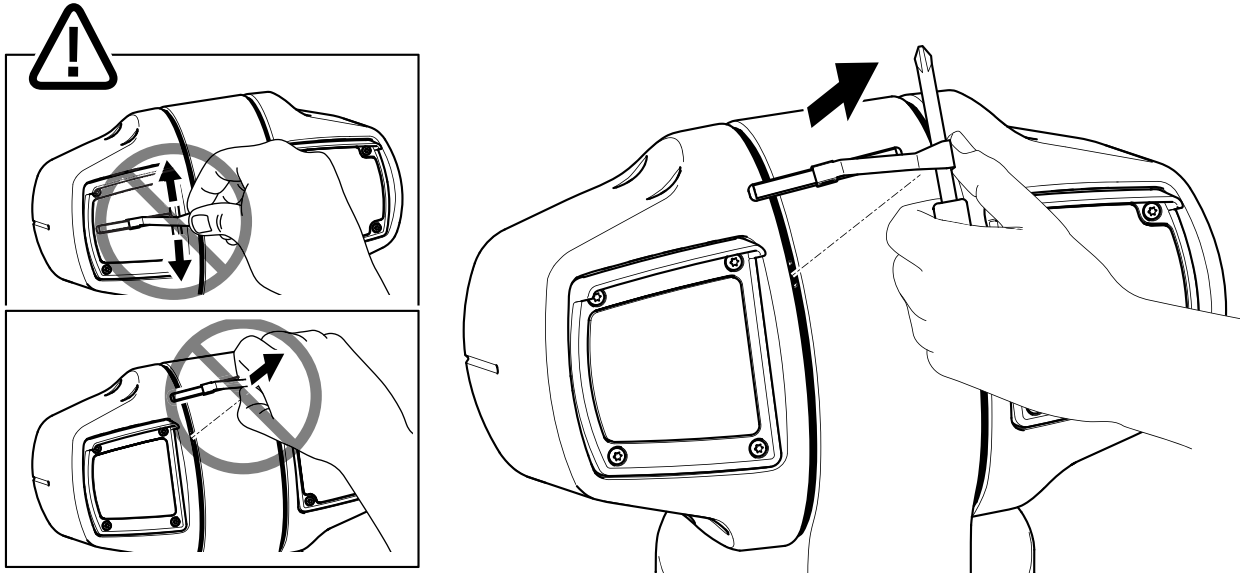
1. Insert a screw driver under the wiper and push it as close to the fastening as possible. Pull the wiper straight out to remove it.

⚠CAUTION

- Pulling on the wiper arm will bend the wiper arm.
- Pushing the wiper across the window will damage the wiper motor.

AXIS Q6225-LE PTZ Camera

Repaint the product



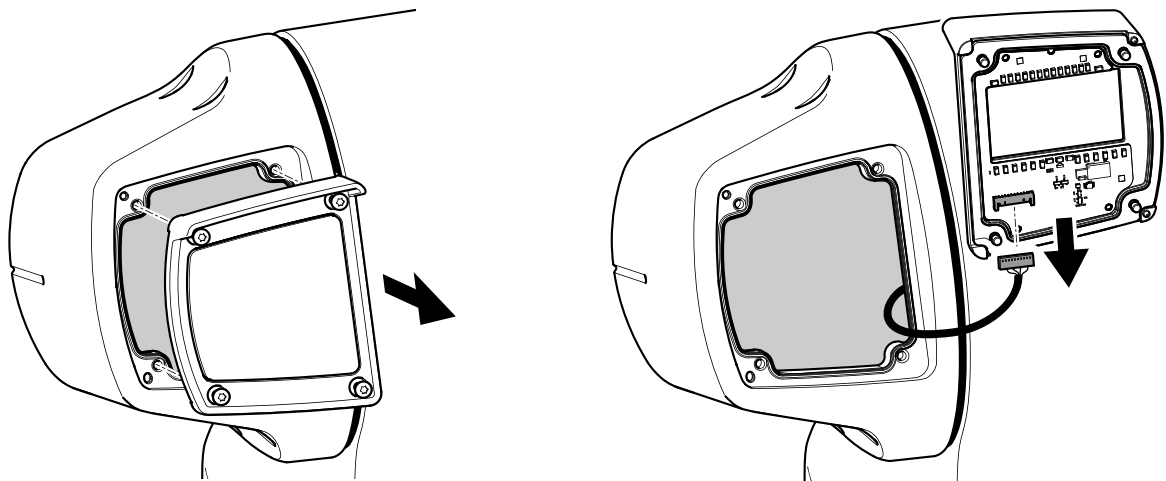
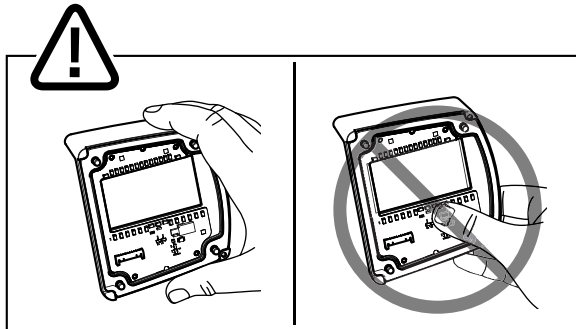
2. Unscrew the four screws from the main window.
3. Disconnect the heater connector.

Note

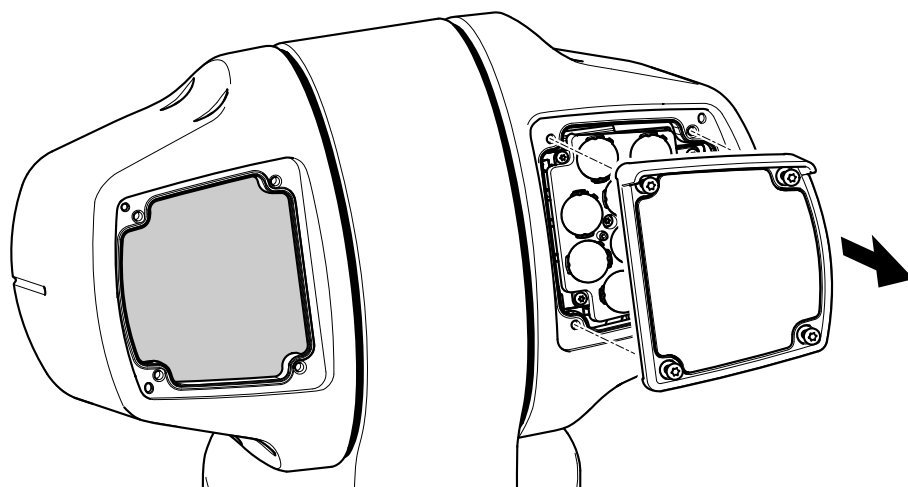
- Carefully lift out the main window before disconnecting the heater connector.
- Do not touch the circuit board on the inside of the window.

AXIS Q6225-LE PTZ Camera

Repaint the product



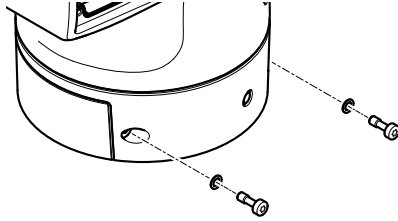
4. Unscrew the four screws from the IR window and remove the IR window.



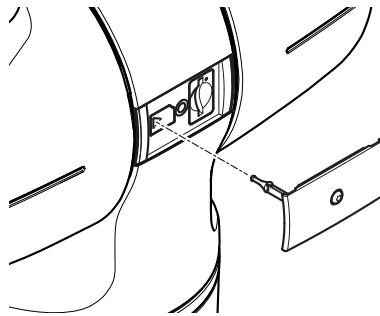
5. Remove the screws and washers from the foot.

AXIS Q6225-LE PTZ Camera

Repaint the product



6. Remove the SD card cover.



Repainting

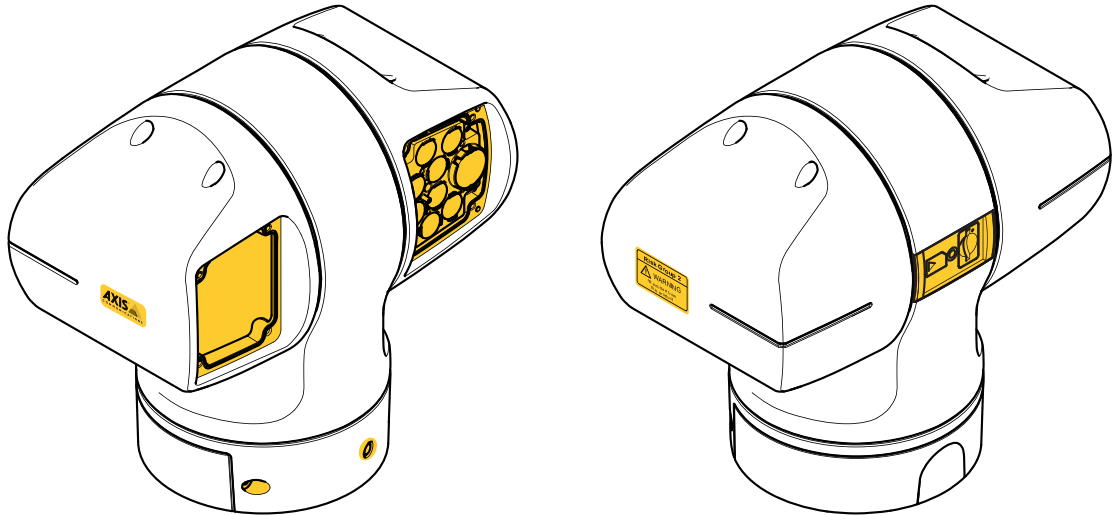
Masking

Mask the following parts:

- The IR window
- The main window
- The control button
- The screw holes in the foot
- The SD card slot
- The IR warning label
- The Axis logo

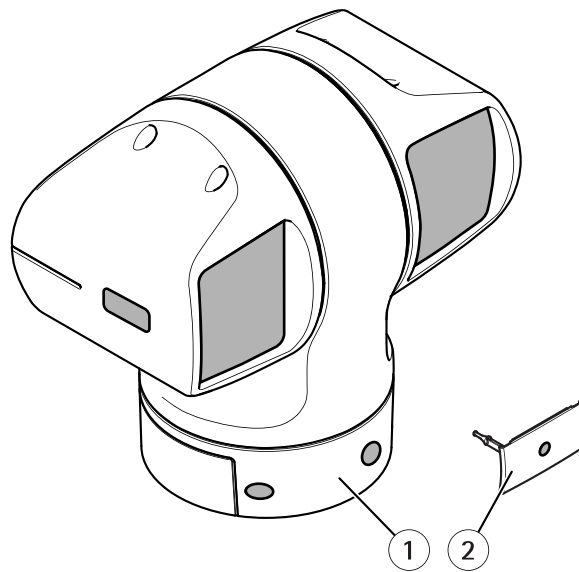
AXIS Q6225-LE PTZ Camera

Repaint the product



Repainting the parts

Repaint the camera unit and the SD card cover.



- 1 Camera unit
- 2 SD card cover

1. Apply a thin and even layer of spray paint according to the instructions of the paint manufacturer.
2. Let the paint dry.
3. To get a better coverage and clearer color, apply a second layer of spray paint.
4. When the paint is dry, remove the masking.

AXIS Q6225-LE PTZ Camera

Repaint the product

Reassembly

1. Assemble the screws and the washers with the foot.
2. Put the SD card cover back in its place.
3. Connect the heater and assemble the main window.
4. Assemble the IR window.
5. Push the wiper into the holder.

