

SIP Outdoor Intercom with Keypad

CyberData

The IP Endpoint Company

The SIP Outdoor Intercom with Keypad delivers two-way communication and secure access control for your VoIP phone system. These devices are perfect for a multitude of settings such as commercial or residential facilities, schools and universities, retail establishments, warehouses, manufacturing plants, parking garages, shipyards, and so much more.

CyberData's SIP enabled VoIP products are compatible with a vast majority of VoIP systems including SBCs, Gateways, and phone systems both on-premise and cloud-based.



Features

- Full duplex audio with enhanced acoustic echo cancelling
- Half-duplex push-to-talk audio controlled from either the phone side using DTMF or the intercom side using the call button
- Relay configurable for secure access in all keypad modes
- Security mode allows for up to 500 user codes with configurable times and blacklisting plus extension dialing
- Simultaneous SIP and multicast
- Supports user-uploadable ring and alert tones
- Loud/Night Ringer function - second SIP extension
- Can receive pages directly from Poly phones as well as other devices that send standard multicast

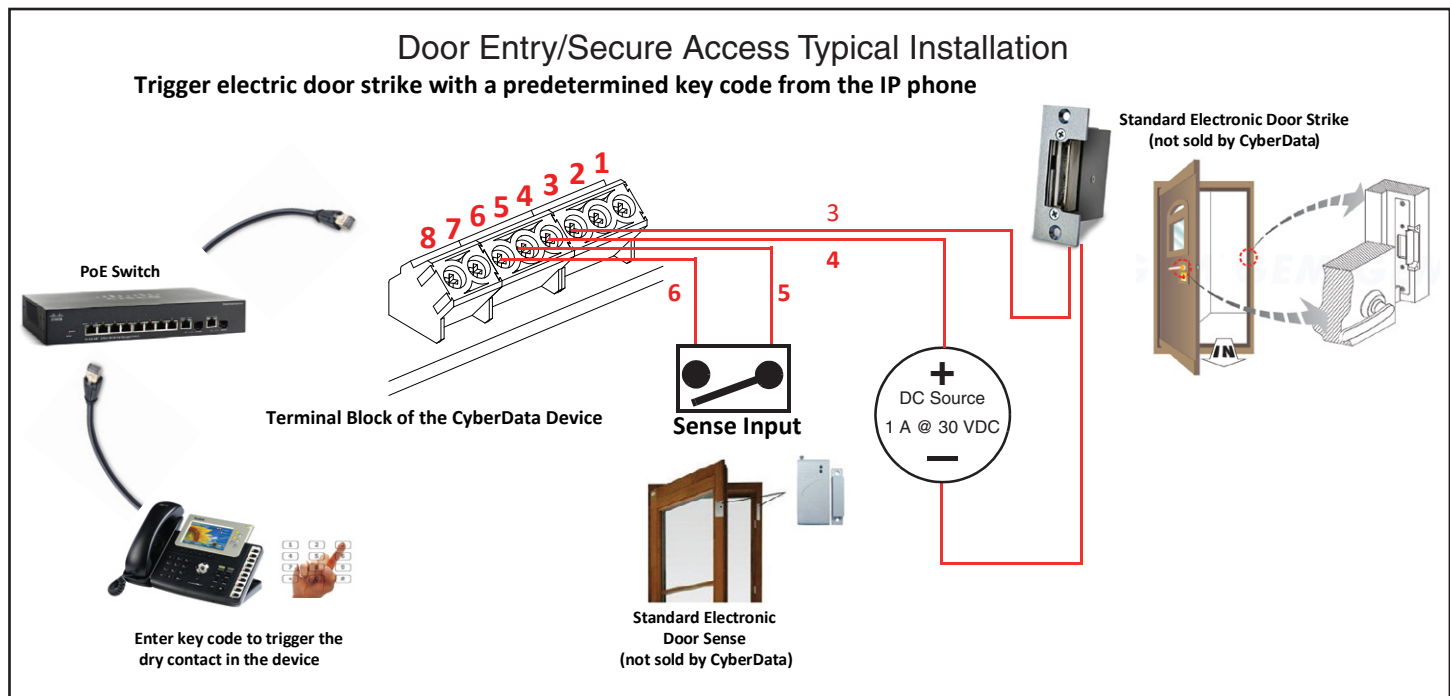
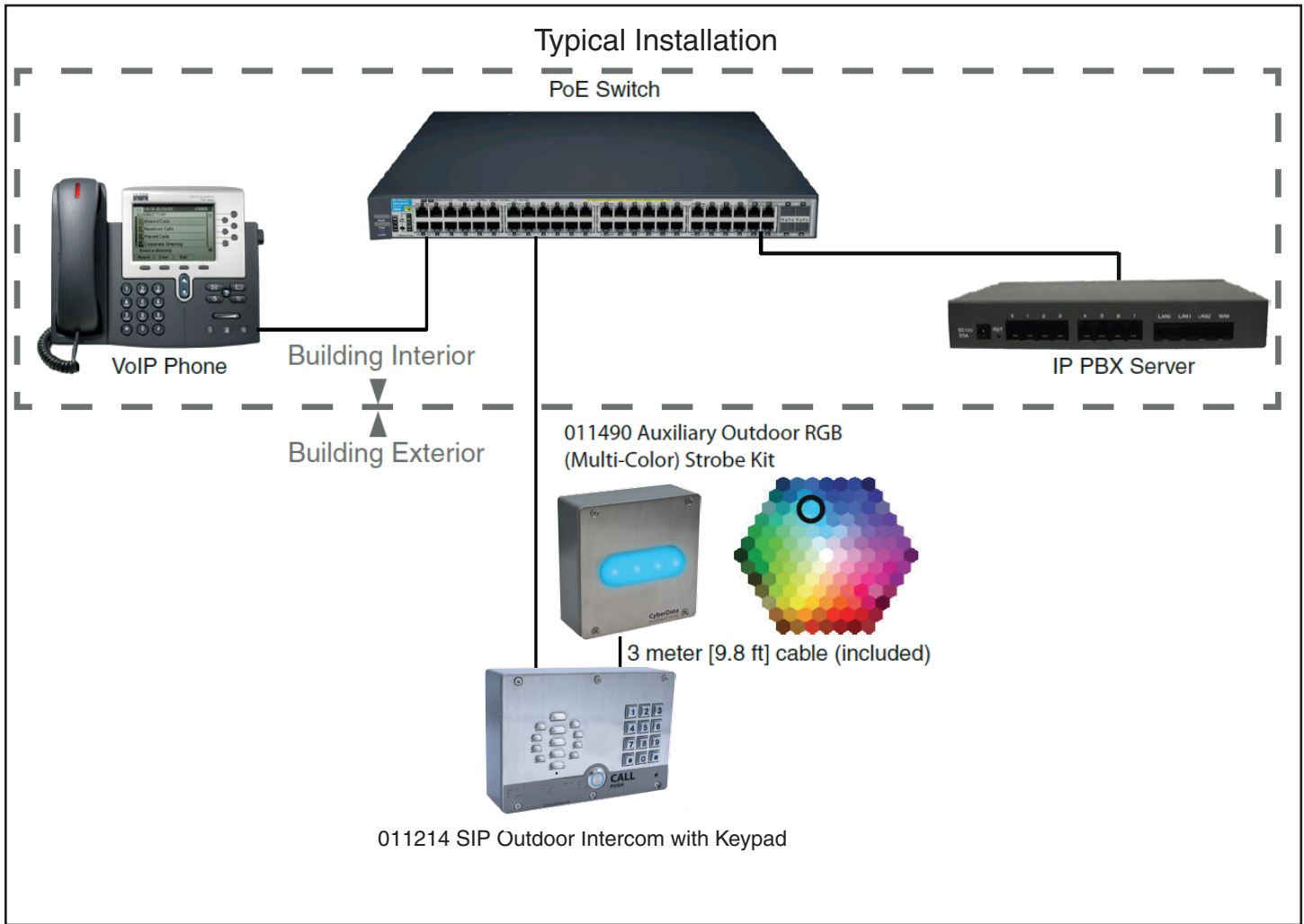
- DTMF-controlled dry relay contact for auxiliary control
- Door closure and tamper alert signal
- 12-key keypad with backlight
- Programmable speed dial
- Network volume control
- Supports Outdoor Auxiliary Strobe Kit for IP66-rated outdoor visual notification

- TLS 1.2 and SRTP enhanced security for IP endpoints in a local or cloud-based environment
- Autoprovisioning via HTTP, HTTPS, or TFTP
- HTTPS or HTTP web based configuration. HTTPS is enabled by default
- Configurable event generation for device health and status monitoring
- 802.11q VLAN tagging
- Web-based upgradeable firmware
- Support for Cisco SRST resiliency

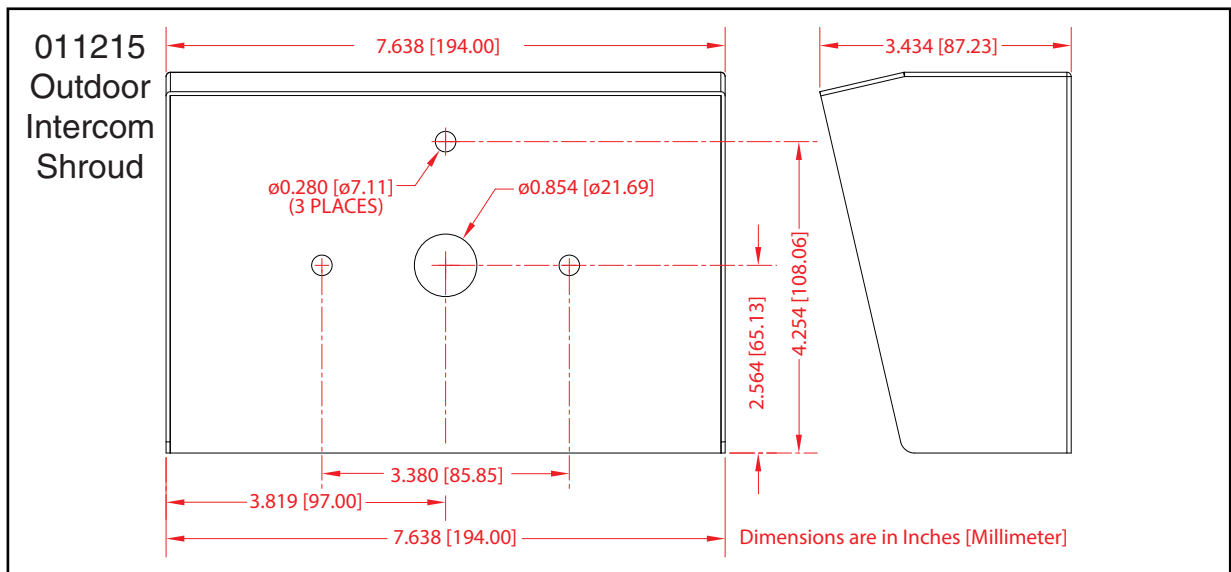
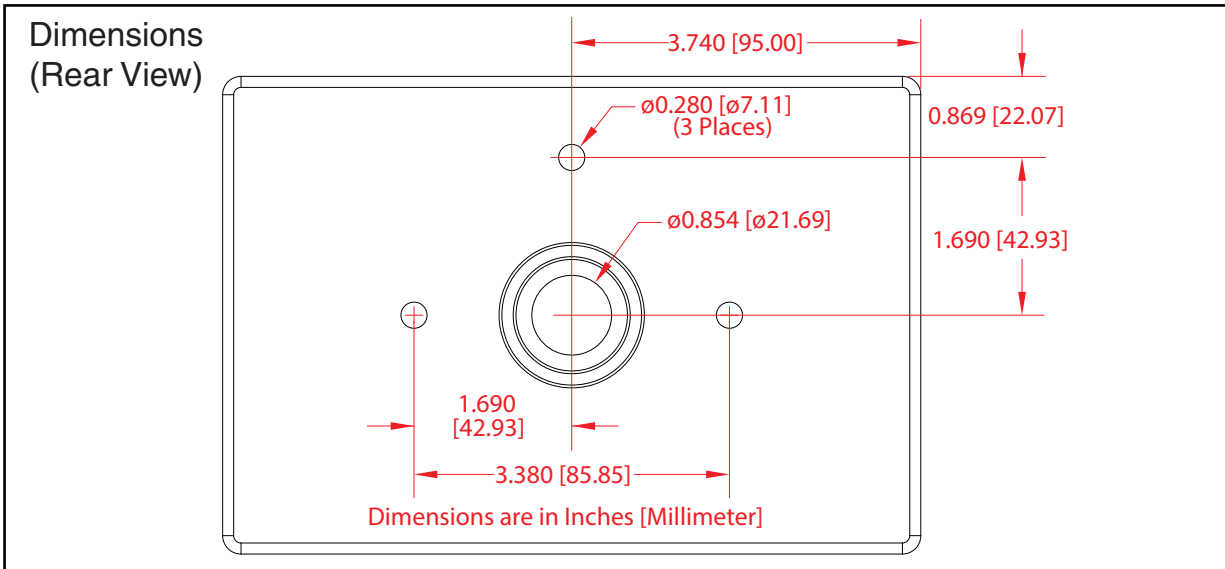
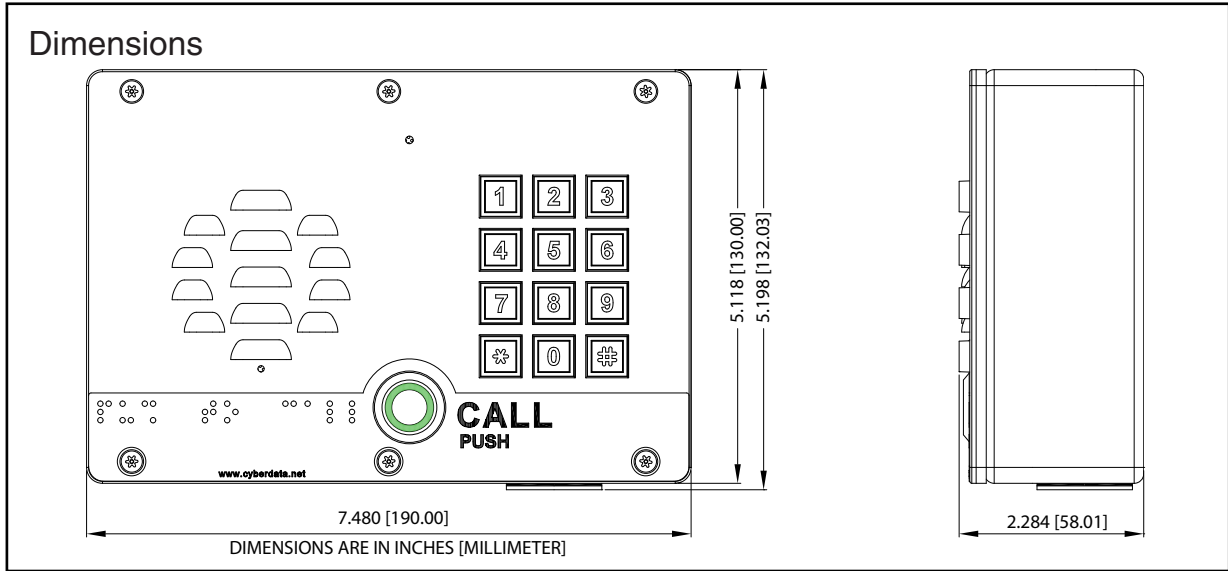
Ethernet I/F	10/100 Mbps
Protocol	SIP RFC 3261 Compatible
Power Input	PoE 802.3af compliant or +8 to +12VDC @ 1000mA Regulated Power Supply (not included)
Audio Output (Max) Power Rating (Max)	802.3af: 86dB @ 1 meter 802.3af: 5-Watts
On-Board Relay	1A @ 30 VDC
Payload Types	G.711 a-law, G.711μ-law, G.722, and G.729
Network Security	TLS 1.2, SRTP, HTTPS
IP Rating	IP65
Operating Range	Temperature: -40° C to 55° C (-40° F to 131° F) Humidity: 5-95%, non-condensing
Storage Temperature Storage Altitude	Temperature: -40° C to 70° C (-40° F to 158° F) Up to 15,000 ft. (4573 m)
Dimensions*	7.480 inch [190 mm] Length 2.284 inch [58 mm] Width 5.118 inch [130 mm] Height
Weight Boxed Weight	2.8 lbs. [1.27 kg] 4.0 lbs. [1.81 kg]
Compliance	CE: EMC Directive – Class A EN 55032 & EN 55024, LV Safety Directive EN 62368-1; RoHS Compliant; FCC Part 15 Class; Industry Canada ICES-3 Class A; IEEE 802.3 Compliant; TAA Compliant
Warranty	5 Years Limited
Part Number	011214

*Dimensions are measured from the perspective of the product being upright with the front of the product facing you.

SIP Outdoor Intercom with Keypad



SIP Outdoor Intercom with Keypad



SIP Outdoor Intercom with Keypad

Related Products:



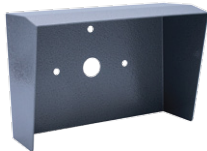
011375 Network Dual
Door Strike Relay



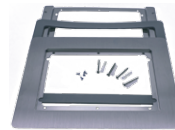
011269 Door Strike
Intermediate Relay Module



011490 Outdoor Auxiliary RGB
(Multi-Color) Strobe Kit



011215 Outdoor Keypad
Intercom Shroud



011442 Flush Mount Kit, 2x