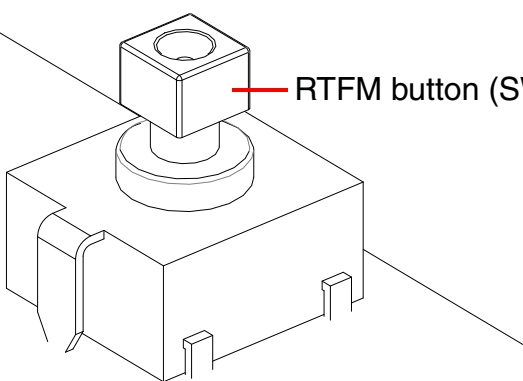


RTFM Button



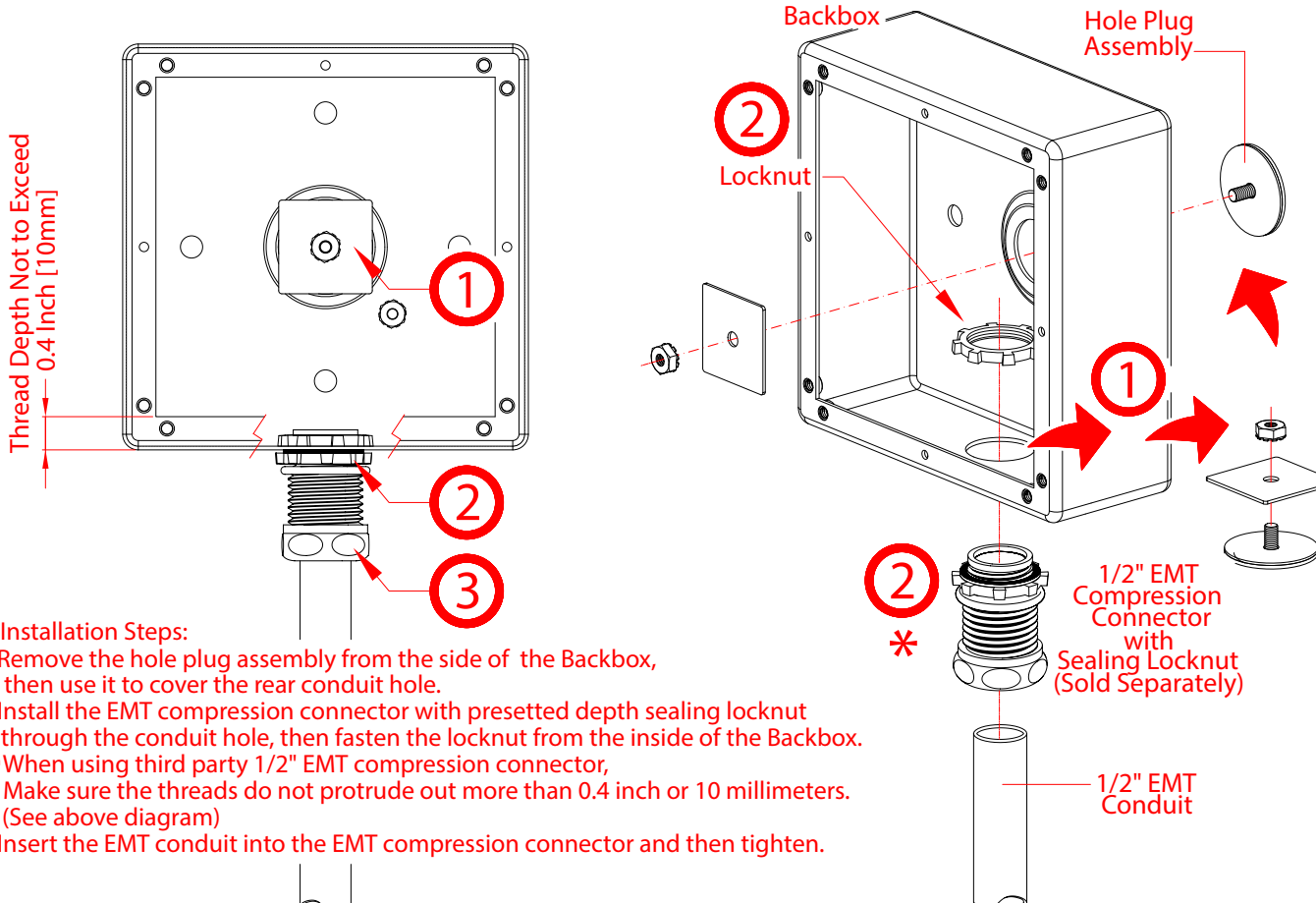
RTFM button (SW1)

When the device is operational and linked to a network, you can use the Reset Test Function Management (RTFM) button (SW1) to restore the device to the factory default settings.

To restore the device to factory default settings:

- Press and hold the RTFM button for seven seconds, and then release the RTFM button.

Side Conduit Mounting



Backbox

Hole Plug Assembly

Locknut

1/2" EMT Compression Connector with Sealing Locknut (Sold Separately)

1/2" EMT Conduit

Thread Depth Not to Exceed 0.4 Inch [10mm]

Installation Steps:

- Remove the hole plug assembly from the side of the Backbox, then use it to cover the rear conduit hole.
- Install the EMT compression connector with presetted depth sealing locknut through the conduit hole, then fasten the locknut from the inside of the Backbox.
- *When using third party 1/2" EMT compression connector, Make sure the threads do not protrude out more than 0.4 inch or 10 millimeters. (See above diagram)
- Insert the EMT conduit into the EMT compression connector and then tighten.

Contacting CyberData

Corporate Headquarters

CyberData Corporation
3 Justin Court
Monterey, CA 93940, USA

Phone: 831-373-2601
Fax: 831-373-4193
<http://www.cyberdata.net/>

Sales: 831-373-2601 ext. 334
Support: 831-373-2601 ext. 333
Support Website: <http://support.cyberdata.net/>
RMA Department: 831-373-2601 ext. 136
RMA Email: RMA@CyberData.net
RMA Status: <http://support.cyberdata.net/>
Warranty Information: <http://support.cyberdata.net/>

CyberData
The IP Endpoint Company

Installation Quick Reference

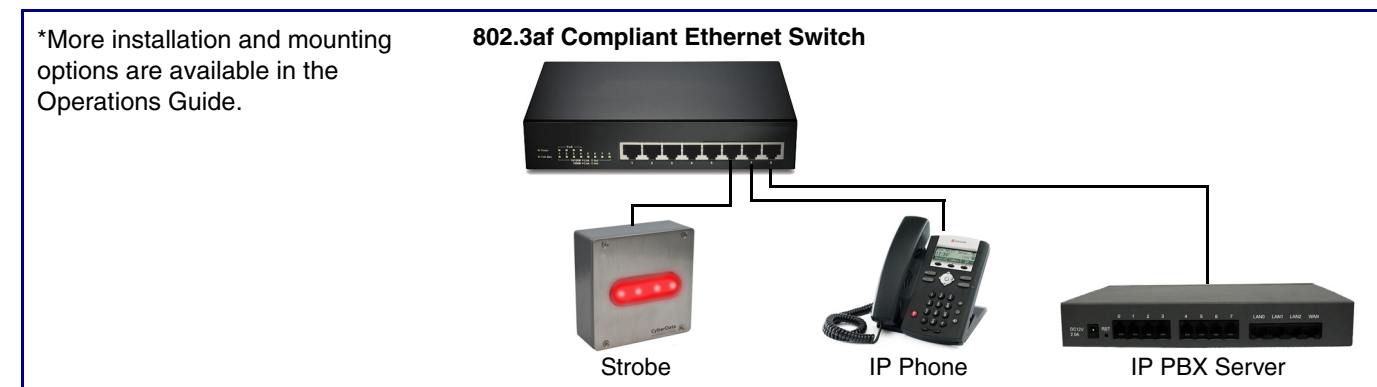
SIP Outdoor RGB (Multi-Color) Strobe 011479



Parameter	Factory Default Setting
IP Addressing	DHCP
IP Address ^a	10.10.10.10
Web Access Username	admin
Web Access Password	admin
Subnet Mask ^a	255.0.0.0
Default Gateway ^a	10.0.0.1

a. Default if there is not a DHCP server present.

Typical System Installation



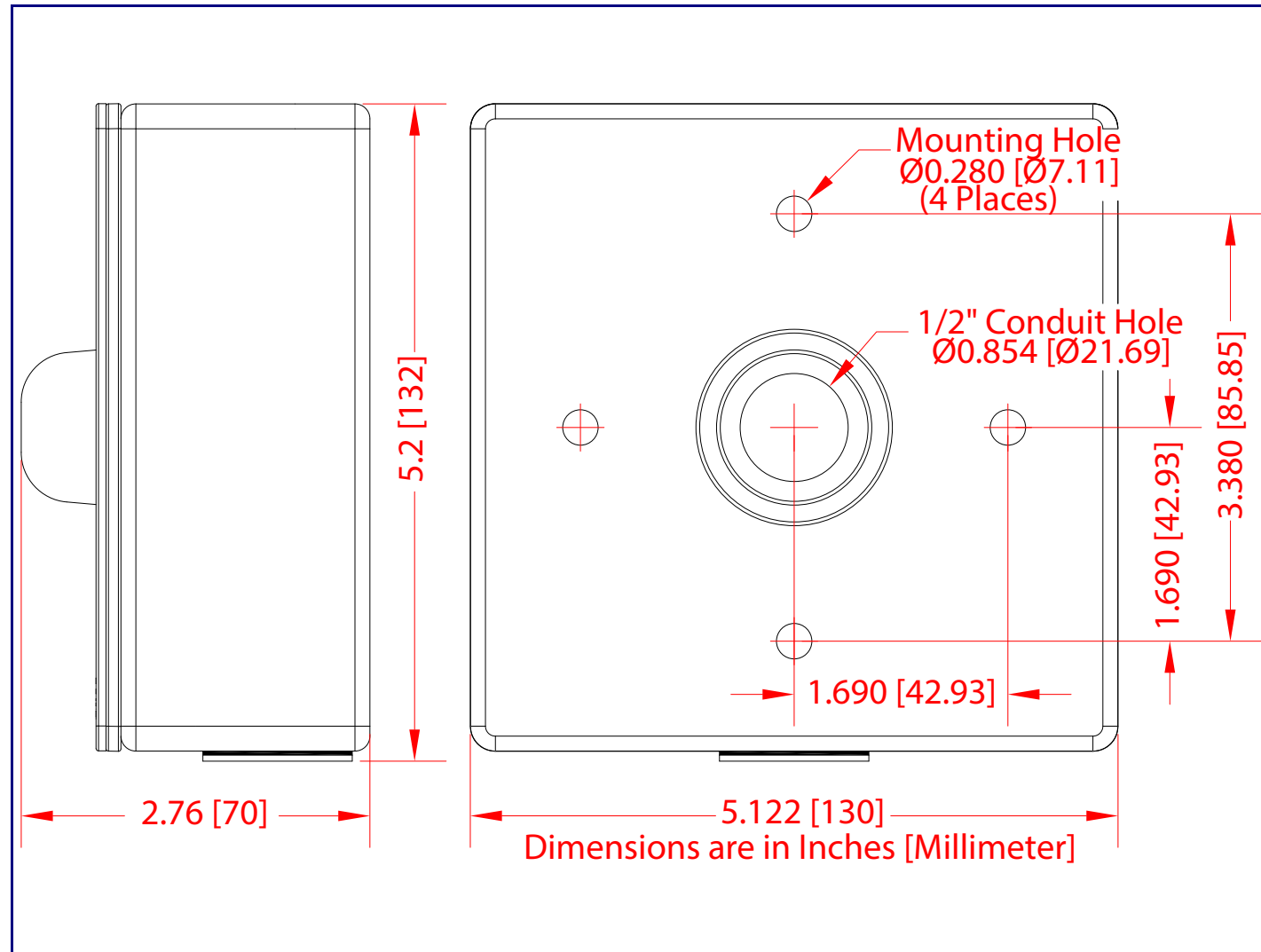
Getting Started

- Download the *SIP Outdoor RGB (Multi-Color) Strobe Operations Guide* PDF file, from the SIP Outdoor RGB (Multi-Color) Strobe product page at:
<https://www.cyberdata.net/products/011479>
- Create a plan for the locations of your SIP Outdoor RGB (Multi-Color) Strobes.
- WARNING:** This product should be installed by a licensed electrician according to all local electrical and building codes.
- WARNING:** To prevent injury, this apparatus must be securely attached to the floor/wall in accordance with the installation instructions.
- WARNING:** The PoE connector is intended for intra-building connections only and does not route to the outside plant.
- WARNING:** This enclosure is not rated for any AC voltages!

Parts

(1) T-15H Torx Key	(1) Hole plug assembly	Optional Accessories (for gooseneck mounting) (4) Carriage bolt nuts (4) Carriage bolts (4) Carriage bolt washers
(4) Security Torx Screw		

Dimensions and Rear View with Mounting Holes



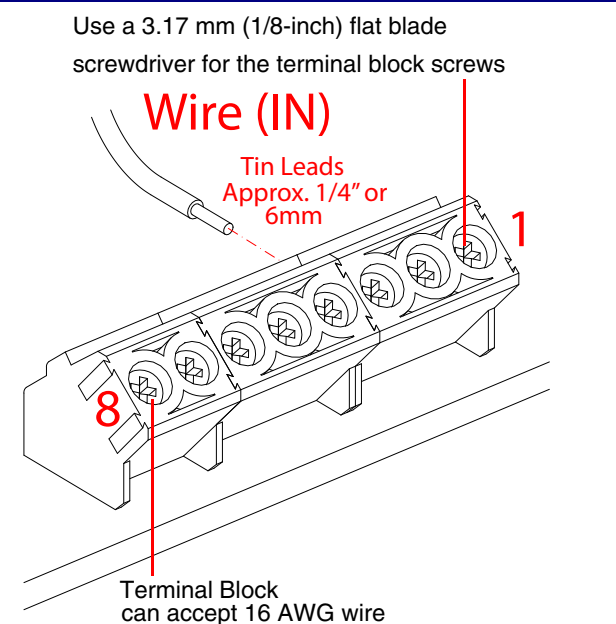
Connections

Alternate Power Input:
 1 = +8 to +12VDC @ 1000mA Regulated Power Supply*
 2 = Power Ground*

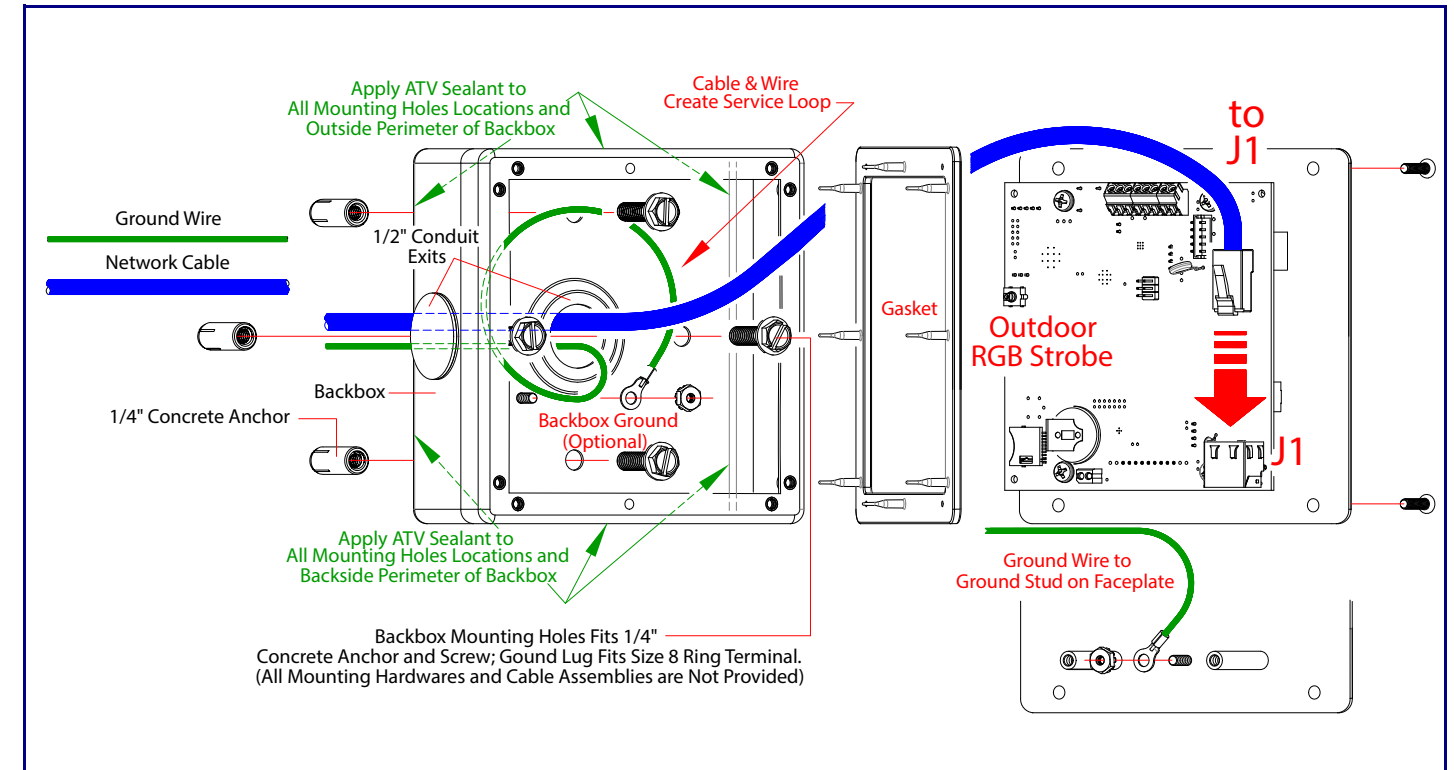


Relay Contact:
 (1 A at 30 VDC for continuous loads)
 3 = Relay Common
 4 = Relay Normally Open Contact
 5 = Sense Input
 6 = Sense Ground
 7 = Remote Switch "A"
 8 = Remote Switch "B"

*Contacts 1 and 2 on the terminal block are only for powering the device from a non-PoE 12VDC power source as an alternative to Network PoE power. Use of these contacts for any other purpose will damage the device and void the product warranty.



Connecting and Sealing the RGB Strobe



Installing the Ground Cable

