








SIP Indoor Station Quick Installation Guide

Foreword

This guide introduces the installation of the indoor station (hereinafter referred to as "the Station"). Please read carefully before using the Station, and keep the guide for future reference.

Symbol Conventions

The symbols that might be found in this guide are defined as follows.

Symbol	Description
 DANGER	Indicates a hazardous situation that, if not avoided, will result in death or serious injury.
 WARNING	Indicates a medium or low potential hazard which, if not avoided, could result in slight or moderate injury.
 CAUTION	Indicates a potentially hazardous situation which, if not avoided, could result in property damage, data loss, performance degradation, or unexpected results.
 TIP	Provides methods to help you solve a problem or save time.
 NOTE	Provides additional information as a supplement to the text.

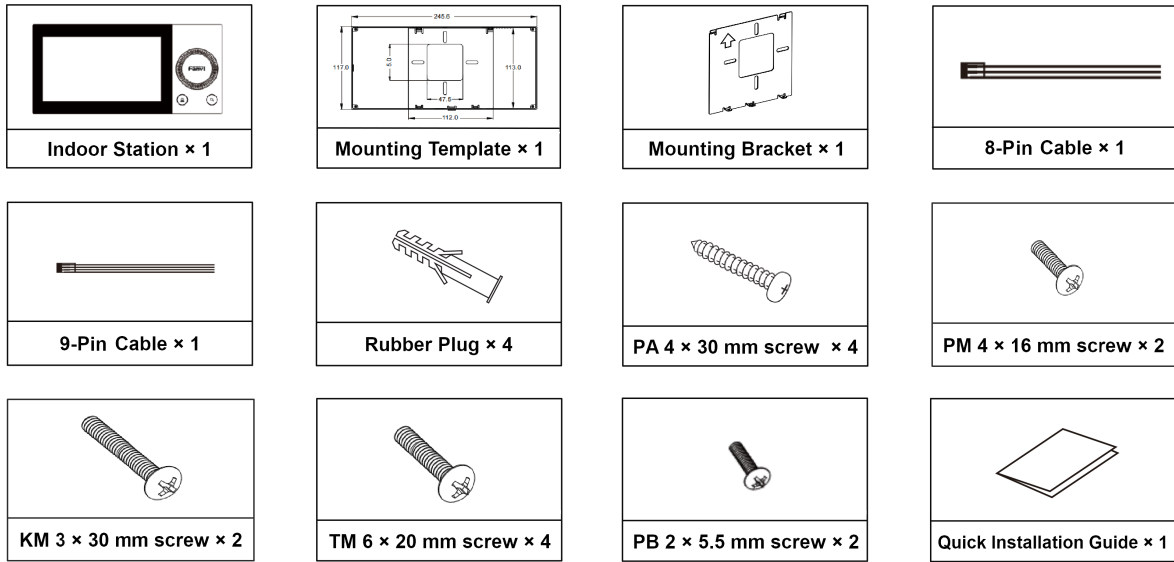
About the Guide

- The guide is for reference only. Slight differences might be found between the guide and the Station.
- We are not liable for losses incurred due to operating the Station in ways that are not in compliance with the guide.
- If there is any uncertainty or controversy, we reserve the right of final explanation.

1. Packing List

Please ensure that all items listed below are included in the package and in good condition. If anything is missing, contact your dealer or service provider.

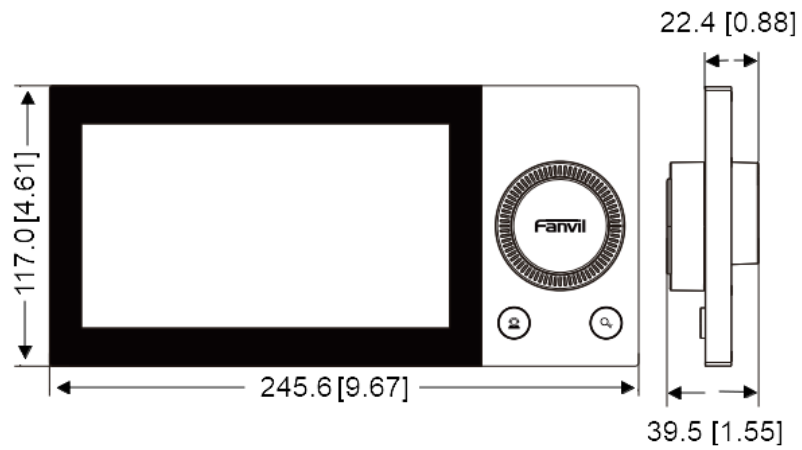
Figure 1-1 Packing list



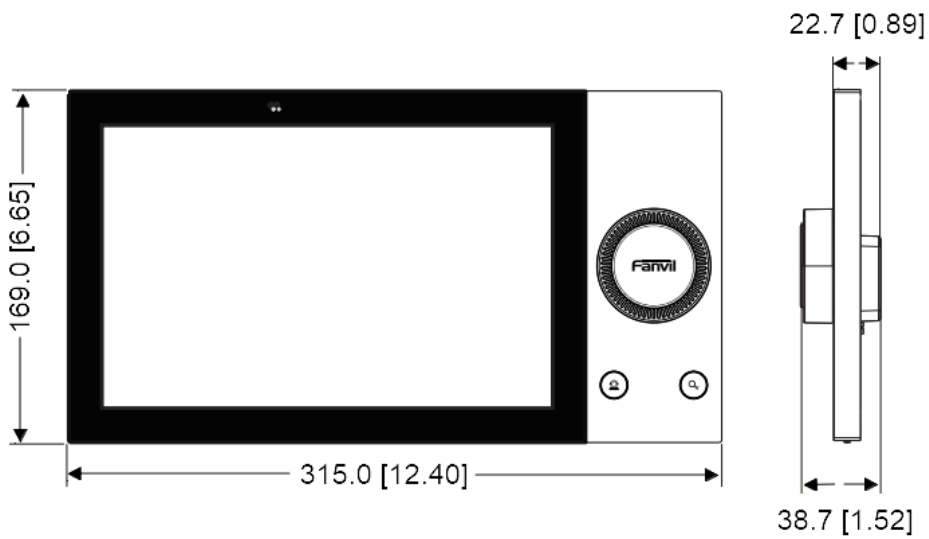
2. Dimensions

Figure 2-1 Product dimensions (mm [inch])

- i564, i564W



- i566W



3. Appearance

Figure 3-1 Front panel



Figure 3-2 Rear panel

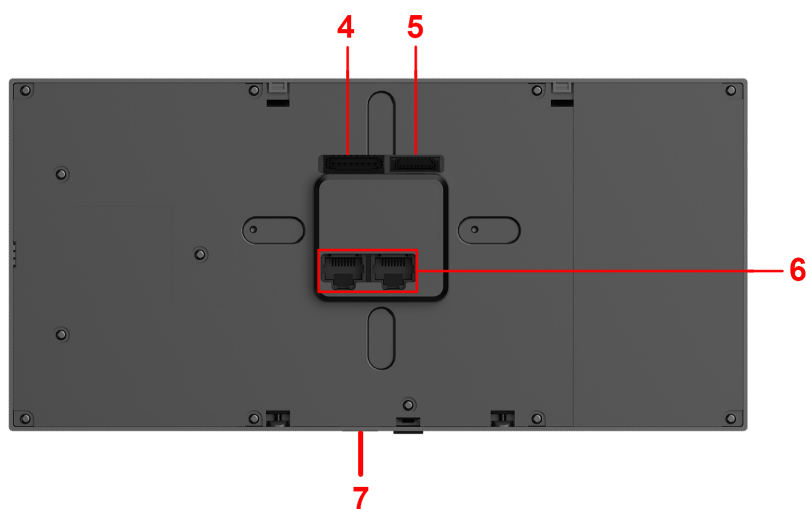


Table 3-1 Description of buttons & interfaces

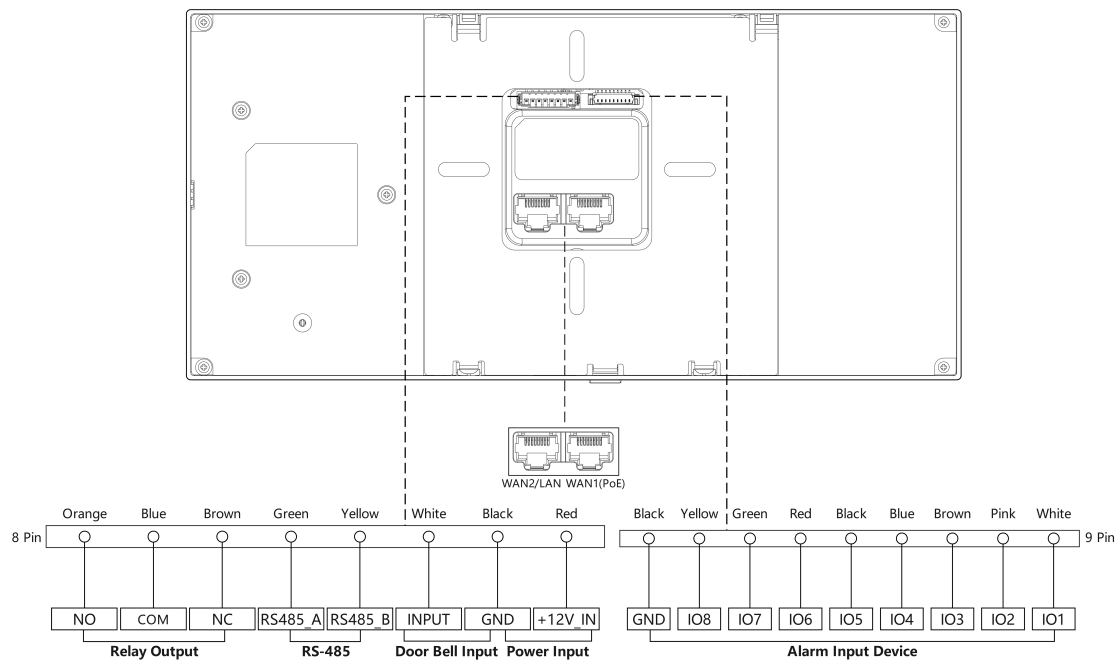
No.	Description
1	<ul style="list-style-type: none"> • Clockwise: Increase the volume. • Counterclockwise: Decrease the volume.
2	Unlock the door.
3	Call the management office. The function can be self-defined.
4	Connects to 8-pin cable. For details, see 4. Wiring .
5	Connects to 9-pin cable. For details, see 4. Wiring .
6	<ul style="list-style-type: none"> • Left: WAN2/LAN • Right: WAN1 (PoE)
7	TF card slot.

4. Wiring

⚠ WARNING

- Do not touch the power cord, power adapter, or the Station with wet hands; do not bend or pull the power cord, or damage any device components.
- Ensure all related equipment is powered off during the wiring.
- The Station supports 12 VDC power supply. Please ensure your power supply matches the Station.

Figure 4-1 Wiring diagram



5. Installation

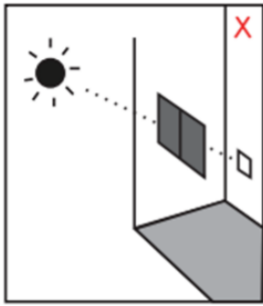
The Station supports wall mounting and desktop installation. This guide only takes wall mounting as the example. If desktop installation is required, please purchase our desktop stand.

Installation Requirements

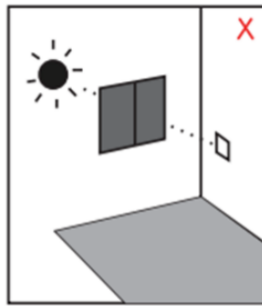
⚠ CAUTION

- Keep the Station away from direct sunlight and strong light sources to prevent damage.
- Do not install the Station in high-temperature or high-humidity environments, or in areas affected by magnetic fields.
- Mount the Station securely on a flat surface to avoid injury or property loss caused by the device falling.
- Do not use or place the Station near heat-generating equipment.
- Keep the Station at least 2 meters away from light sources and at least 3 meters away from doors and windows.

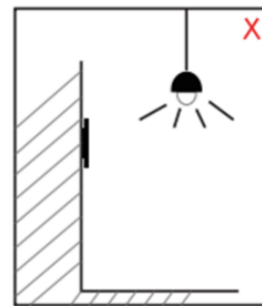
Figure 5-1 Light conditions not recommended



Direct Sunlight through Window



Indirect Sunlight through Window



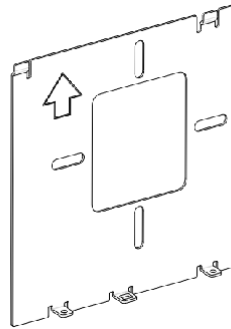
Close to Light Sources

5.1 Wall Mounting Bracket

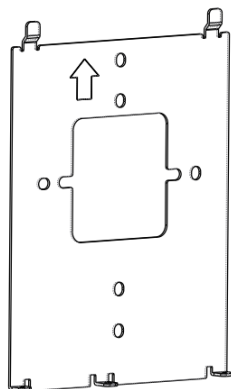
Introduces bracket mounting with or without a junction box. The **i564W** and **i566W** support different brackets, but installation is the same. This guide only takes the i564W bracket as an example.

Figure 5-2 Wall mounting bracket

- i564, i564W



- i566W



NOTE

- Before installation, ensure all components in the package are in good condition and prepare the necessary tools.
- During installation, ensure the bracket is against the wall with the arrow **pointing upward**.

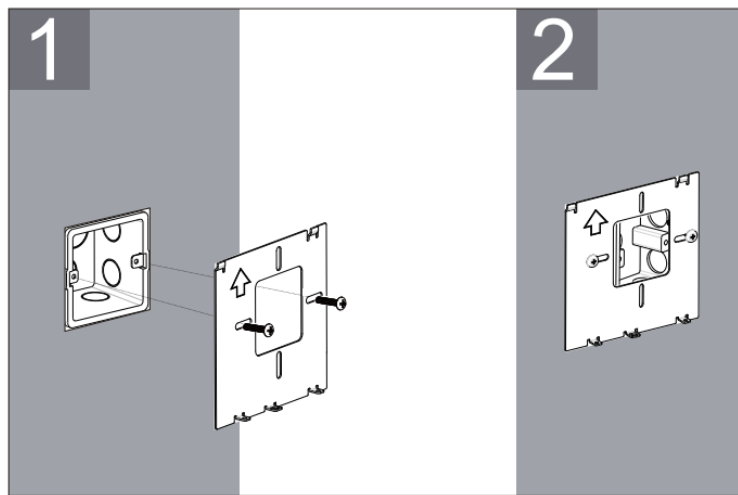
5.1.1 Installing the Bracket with Junction Box

The bracket supports mounting on the following types of junction boxes.

- 86 junction box

Secure the mounting bracket to the 86 junction box with two **PM 4 × 16 mm screws**.

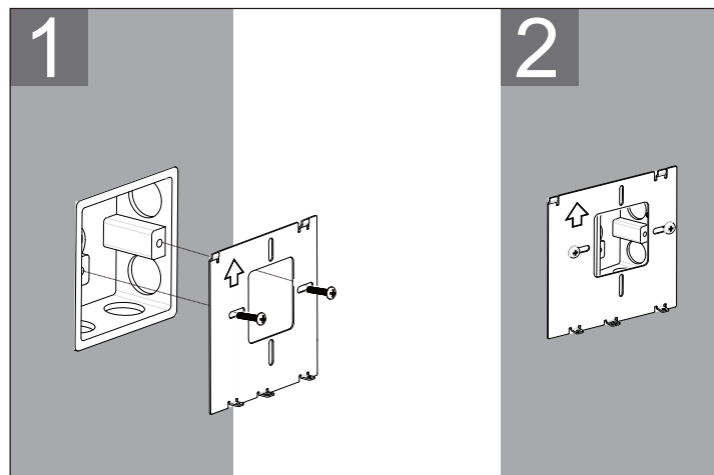
Figure 5-3 Wall mounting with 86 junction box



- 77 junction box

Secure the mounting bracket to the 77 junction box with two **PM 4 × 16 mm screws**.

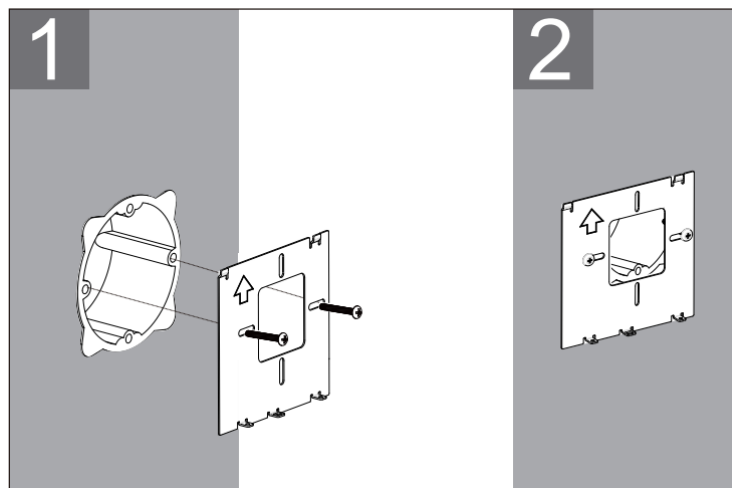
Figure 5-4 Wall mounting with 77 junction box



- Round junction box

Secure the mounting bracket to the round junction box with two **KM 3 × 30 mm screws**.

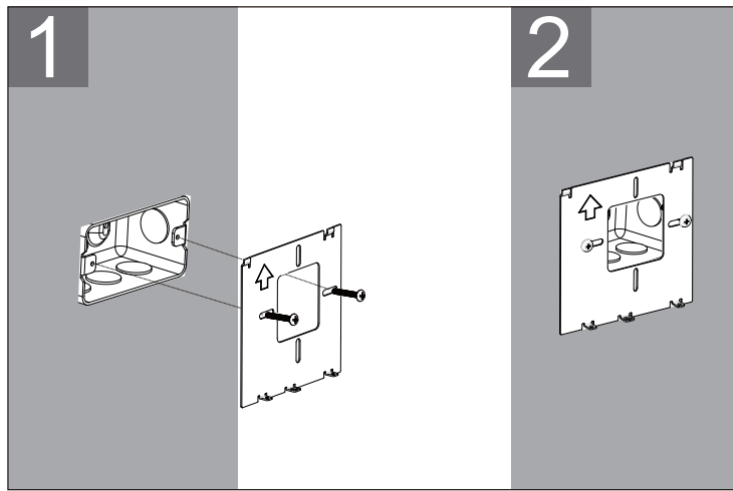
Figure 5-5 Wall mounting with round junction box



- Single-gang box

Secure the mounting bracket to the single-gang box with two **TM 6 × 20 mm screws**.

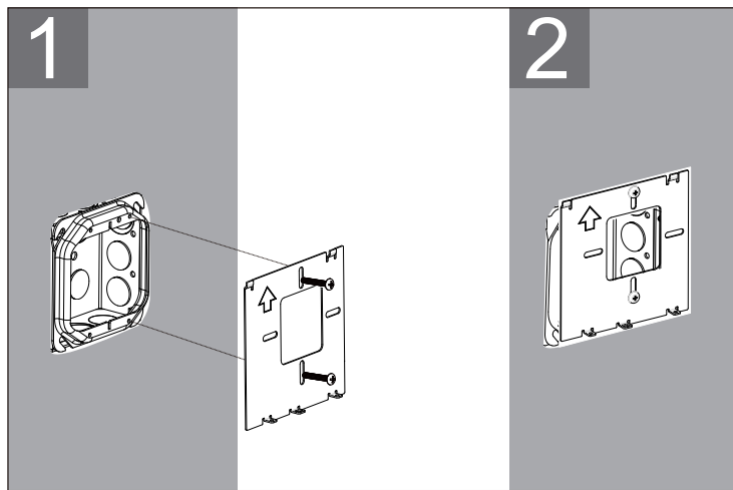
Figure 5-6 Wall mounting with single-gang box



- Double-gang box

Secure the mounting bracket to the double-gang box with two **TM 6 × 20 mm screws**.

Figure 5-7 Wall mounting with double-gang box

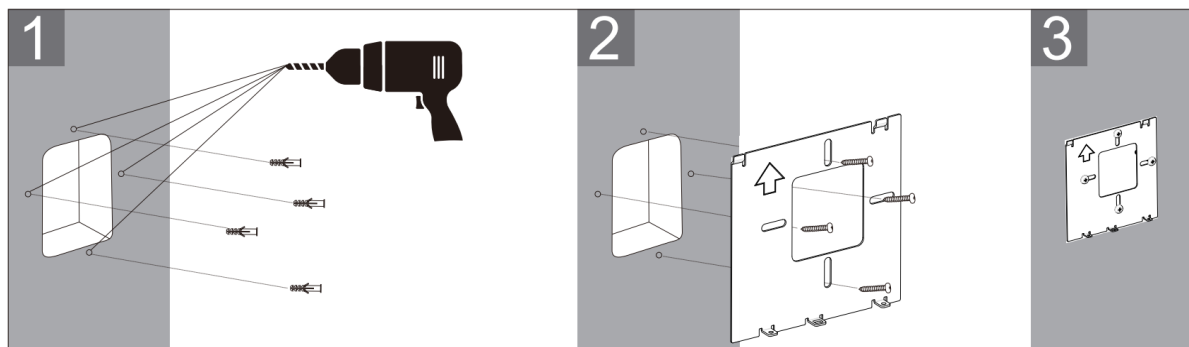


5.1.2 Installing the Bracket without Junction Box

Procedure

1. Attach the mounting template on the wall, drill four hole positions to a depth of **30 mm** with a **6 mm** electric drill, and then remove the template.
2. Insert four rubber plugs into the holes and keep them flush with the wall.
3. Secure the bracket to the wall with four **PA 4 × 30 mm screws**.

Figure 5-8 Wall mounting without junction box

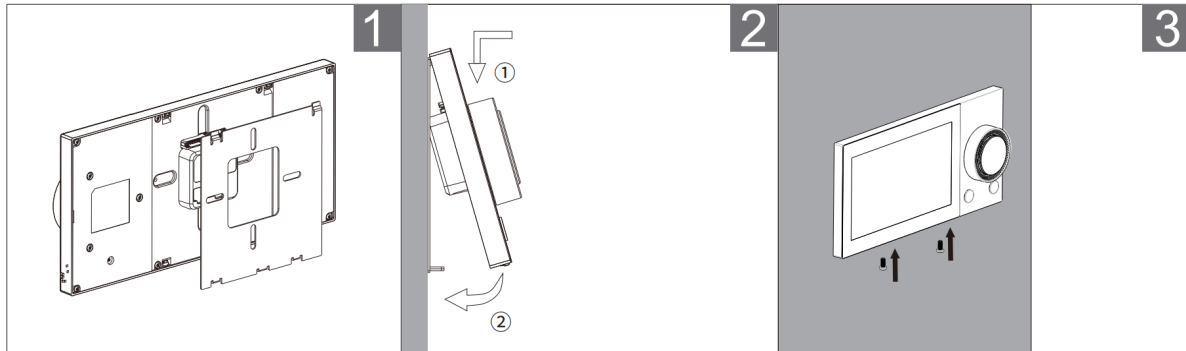


5.2 Mounting the Station on the Bracket

Procedure

1. Connect cables to the rear panel of the Station. For details, see [4. Wiring](#).
2. Tilt the Station to an angle of about 15°, and then hook the two upper slots on the rear panel onto hooks on the bracket.
3. Press the bottom of the Station until the two lower slots lock securely into the bracket.
4. Secure the bottom of the Station with two **PB 2 × 5.5 mm screws**.

Figure 5-9 Mount the station on the bracket

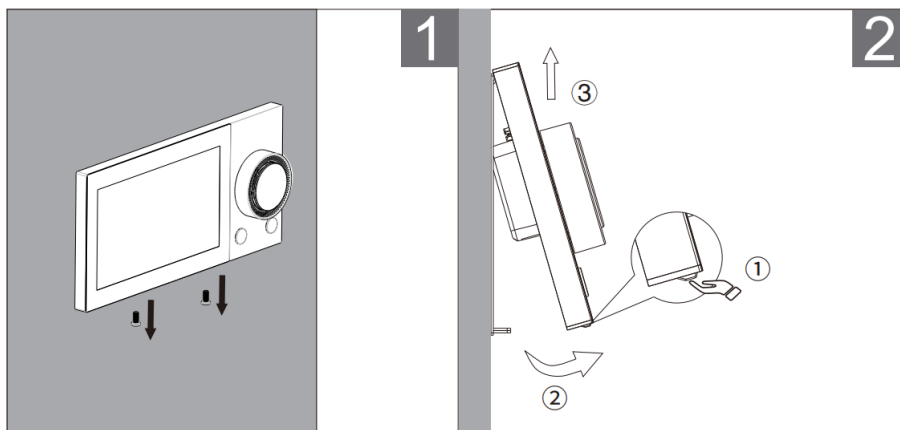


5.3 Removing the Station from the Bracket

Procedure

1. Remove the two screws at the bottom of the Station.
2. Press and hold the latch at the bottom of the Station, tilt the bottom to release the lower slots, and then lift the Station to remove it from the bracket.

Figure 5-10 Remove the station from the bracket



6. Device Maintenance

⚠ CAUTION

- Do not hit the Station with hard objects.
- Do not press hard on the Station screen.
- Do not expose the Station to chemicals, such as alcohol, acids, disinfectants, etc.
- Clean the Station surface gently with a damp cloth, and then wipe it dry with a soft cloth.
- To prevent the Station from becoming loose, ensure the screw holes have the correct diameter and depth. If the holes are too large, apply adhesive to secure the screws.