

DS-2DE4225W-DE3

2 MP Outdoor 25× Network Speed Dome



Hikvision DS-2DE4225W-DE3 Network Speed Dome Cameras produce images with a resolution of up to 1,920 x 1,080 pixels.

The embedded 1/2.8" progressive scan CMOS chip supports Digital WDR, and the 25x optical zoom allows for greater detail to be collected over more expansive areas.

The Network Speed Dome Camera also features a wide range of smart functions, including intrusion detection, line crossing detection, and audio exception, which allows for key events and objects to be recorded for further forensic needs.

Available models:
DS-2DE4225W-DE3

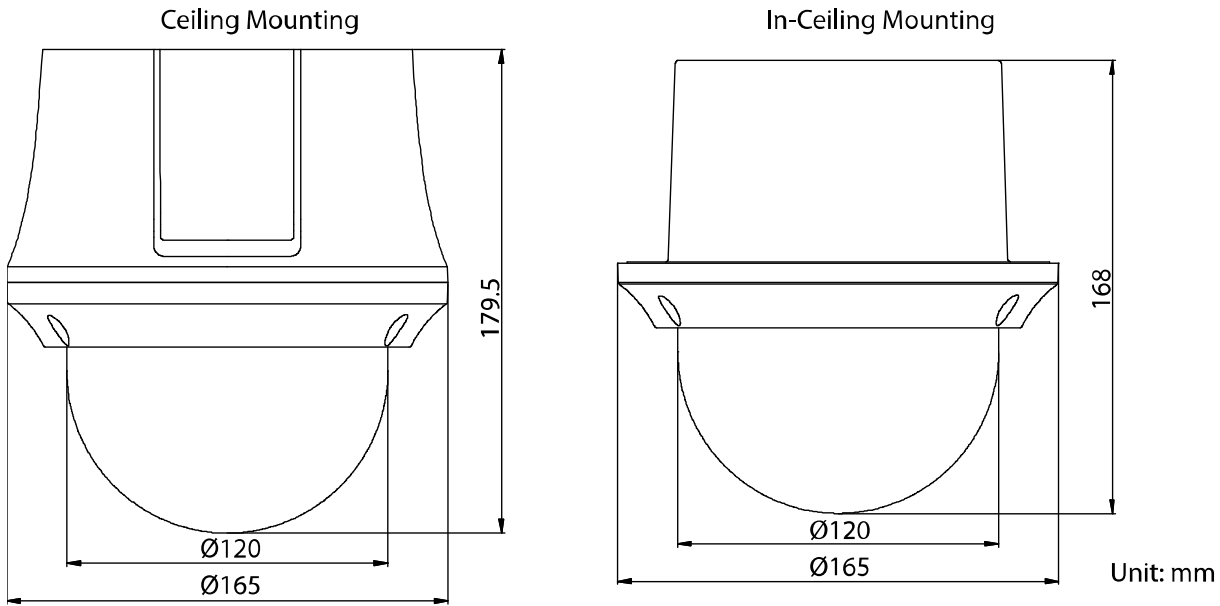
- **1/2.8" Progressive Scan CMOS**
- **Up to 1,920 x 1,080 Resolution**
- **Minimum Illumination**
Color: 0.005 Lux @ (f/1.6, AGC On)
B/W: 0.001 Lux @ (f/1.6, AGC On)
0 Lux with IR
- **H.265+/H.265 Video Compression**
- **25x Optical Zoom, 16x Digital Zoom**
- **120 dB WDR, EIS, Defog**
- **Smart Detection: Line Crossing, Intrusion, Region Enter/Exit**
- **IK10 Protection**
- **12 VDC/PoE+ (802.3 at, class 4), 18 W**



Specifications

Camera Module	
Image Sensor	1/2.8" progressive scan CMOS
Minimum Illumination	Color: 0.005 lux @ (f/1.6, AGC on); B/W: 0.001 lux @ (f/1.6, AGC on); 0 lux with IR
Shutter Speed	1/1 to 1/30,000 s
White Balance	Auto/manual/ATW (auto-tracking white balance)/indoor/outdoor/fluorescent lamp/sodium lamp
AGC	Auto/manual
Day/Night	IR cut filter
Digital Zoom	16x
Privacy Mask	24 programmable privacy masks
Focus Mode	Auto/semi-automatic/manual
WDR	120 dB
Rapid Focus	Supported
Lens	
Focal Length	4.8 mm to 120 mm, 25× optical zoom
Zoom Speed	Approximately 3.6 s (optical lens, wide to tele)
Angle of View	Horizontal FOV: 57.6° to 2.5° (wide to tele); vertical FOV: 34.4° to 1.4° (wide to tele); diagonal FOV: 64.5° to 2.9° (wide to tele)
Minimum Working Distance	10 mm to 1,500 mm (wide to tele)
Aperture Range	f/1.6 to f/3.5
PTZ	
Movement Range (Pan)	360° endless
Pan Speed	Configurable, from 0.1°/s to 160°/s, Preset Speed: 160°/s
Movement Range (Tilt)	From -20° to 90° (auto-flip)
Tilt Speed	Configurable, from 0.1°/s to 120°/s, Preset Speed: 120°/s
Proportional Zoom	Supported
Presets	300
Patrol Scan	8 patrols, up to 32 presets for each patrol
Pattern Scan	4 pattern scans, record time over 10 minutes for each scan
Power-Off Memory	Supported
Park Action	Preset/pattern scan/patrol scan/auto scan/tilt scan/random scan/frame scan/panorama scan
3D Positioning	Supported
PTZ Status Display	Supported
Preset Freezing	Supported
Scheduled Task	Preset/pattern scan/patrol scan/auto scan/tilt scan/random scan/frame scan/panorama scan/dome reboot/dome adjust/aux output
Compression Standard	
Video Compression	Main stream: H.265+/H.265/H.264+/H.264; sub-stream: H.265/H.264/MJPEG; third stream: H.265/H.264/MJPEG
H.264 Type	Type Baseline profile/ main profile/high profile
H.264+	Supported
H.265 Type	Baseline profile/main profile/high profile
H.265+	Supported
Video Bitrate	32 kbps to 16,384 kbps
Audio Compression	G.711alaw/G.711ulaw/G.722.1/G.726/MP2L2/PCM
Audio Bitrate	G.711alaw/G.711ulaw: 64 Kbps; G.722.1/G.726: 16 Kbps; MP2L2/PCM: 32 Kbps/64 Kbps/128 Kbps
Smart Features	
Basic Event	Motion detection, alarm input, alarm output, video tampering detection, exception detection
Smart Event	Intrusion detection, line crossing detection, region entrance detection, region exiting detection, object removal detection, unattended baggage detection
Smart Recording	ANR (Automatic Network Replenishment), Dual-VCA
ROI	Main stream, sub-stream, and third stream respectively support four fixed areas
Image	
Maximum Resolution	1,920 x 1,080
Main Stream	30 fps (1920 × 1080, 1280 × 960, 1280 × 720), 60 fps (1280 × 960, 1280 × 720)
Sub-Stream	30 fps (704 × 480, 640 × 480, 352 × 240)
Third Stream	30 fps (1920 × 1080, 1280 × 960, 1280 × 720, 704 × 480, 640 × 480, 352 × 240)
Image Enhancement	HLC/BLC/3D DNR/Defog/EIS/Regional Exposure/Regional Focus
Network	
Network Storage	Built-in memory card slot, supports microSD/SDHC/SDXC, up to 256 GB; NAS (NFS, SMB/CIFS), ANR
Alarm Linkage	Alarm actions such as notify surveillance center, upload to FTP, send e-mail, trigger recording, recording linkage, and alarm input, etc.
Protocols	IPv4/IPv6, HTTP, HTTPS, 802.1x, QoS, FTP, SMTP, UPnP, SNMP, DNS, DDNS, NTP, RTSP, RTCP, RTP, TCP/IP, DHCP, PPPoE, Bonjour
API	Open-ended, support ONVIF, ISAPI, and CGI, support for HIKVISION SDK and third-party management platforms
Simultaneous Live View	Up to 20 channels
User/Host	Up to 32 users. Three levels: administrator, operator, and user
Security Measures	User authentication (ID and PW), Host authentication (MAC address); HTTPS encryption; IEEE 802.1x port-based network access control; IP address filtering
Client	iVMS-4200, iVMS-4500, Hik-Connect
Web Browser	IE 8 to 11, Chrome 31.0 to 44, Firefox 30.0 to 51
Interface	
Alarm Interface	1-ch alarm input and 1-ch alarm output
Audio Interface	1-ch audio input and 1-ch audio output
Network Interface	1 RJ-45 10 M/100 M Ethernet, PoE+ (802.3 at, class 4)
General	
Power	12 VDC and PoE+ (802.3 at, class 4); maximum: 18 W
Working Temperature	-14° to 122° F (-10° to 50° C); humidity: ≤90% non-condensing
Protection Level	IK 10, TVS 4,000V lightning protection, surge protection, and voltage transient protection
Material	ADC 12, PC + ABS, PC/PMMA
Dimensions	Ceiling mounted model: Ø6.50" × 7.07" (Ø165 mm × 179.5 mm); in-ceiling mounted model: Ø6.50" × 6.61" (Ø165 mm × 168 mm)
Weight	Approximately 4.41 lb (2 kg)

Dimensions



Box Contents (Subject To Change without Notice)

- Bracket
- Butterfly Screws
- Cutout Template
- Drill Template
- PoE Injector
- Power Cord
- Quick Start Guide
- Screws
- Watertight Cable Connector
- Wrench