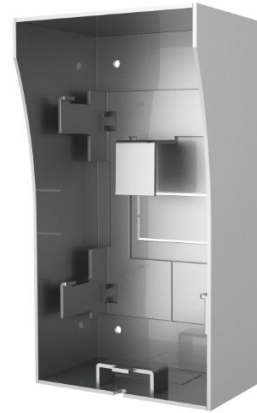


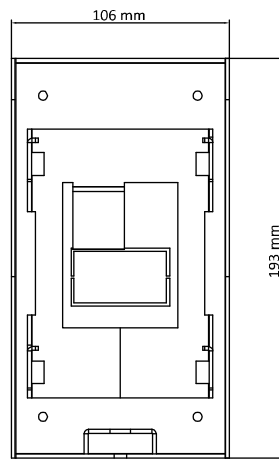
## DS-KAB02 Protective Shield

- **Stainless Steel**
- **For Wall Mounting Villa Door Station (DS-KV8X02-IM)**
- **No Insulation**

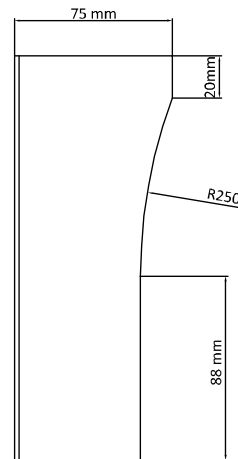
**Available Models:** DS-KAB02



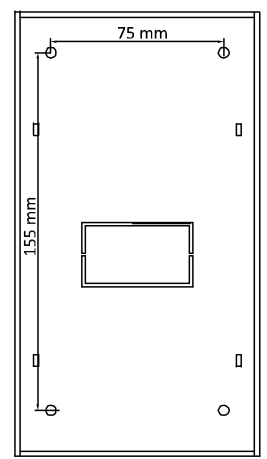
## Dimensions



Front View



Side View



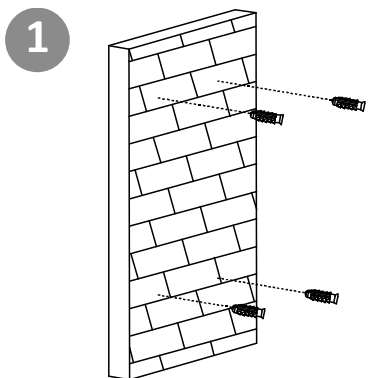
Rear View



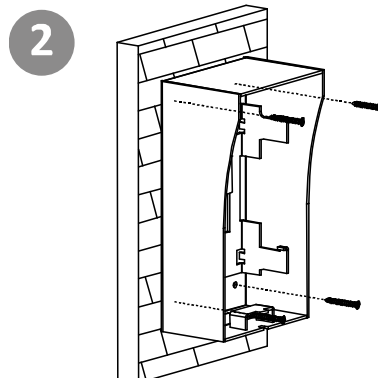
## DS-KAB02

<b>Housing Material</b>	Stainless Steel SUS201
<b>Inner-Shell Material</b>	SGCC
<b>Working Temperature</b>	-22° to 158° F (-30° to +70° C)
<b>Working Humidity</b>	10% to 90%
<b>Dimensions (L x W x H)</b>	7.60" x 4.17" x 3.15" (193 mm x 106 mm x 80 mm)

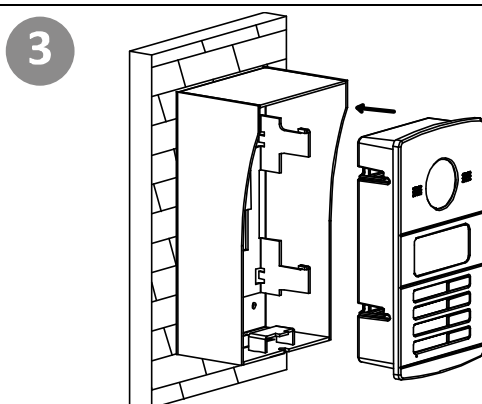
# Installation



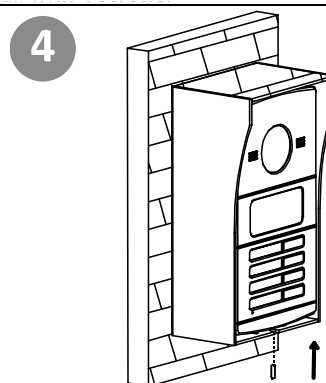
Insert four expansion anchors into the wall.



Affix the protective shield onto the wall with four screws.



Install the door station onto part 1 of the protective shield.



Secure the door station to the shield with the set screw.