

DS-KD8003-IME2

2-Wire Module Main Door Station



- 2-Pin Wire for Power and Network Access
- Access Control Function
- Noise Suppression and Echo Cancellation
- H.264 Video Compression
- Low Illumination
- Tampering Alarm
- Fisheye Camera with IR Supplement Light
- Supports Sub-Modules' Access (Maximum 8)
- Nametag Customization
- Easy To Extend

The Hikvision DS-KD8003-IME2 Video Intercom Door Station offers high-performance 2 MP high definition video and includes two-way voice communication. An access control function is also provided.

Noise suppression and echo cancellation assures clear sound. The integrated fisheye camera with IR supplemental light provides clear, wide views for visual recognition even in low illumination.

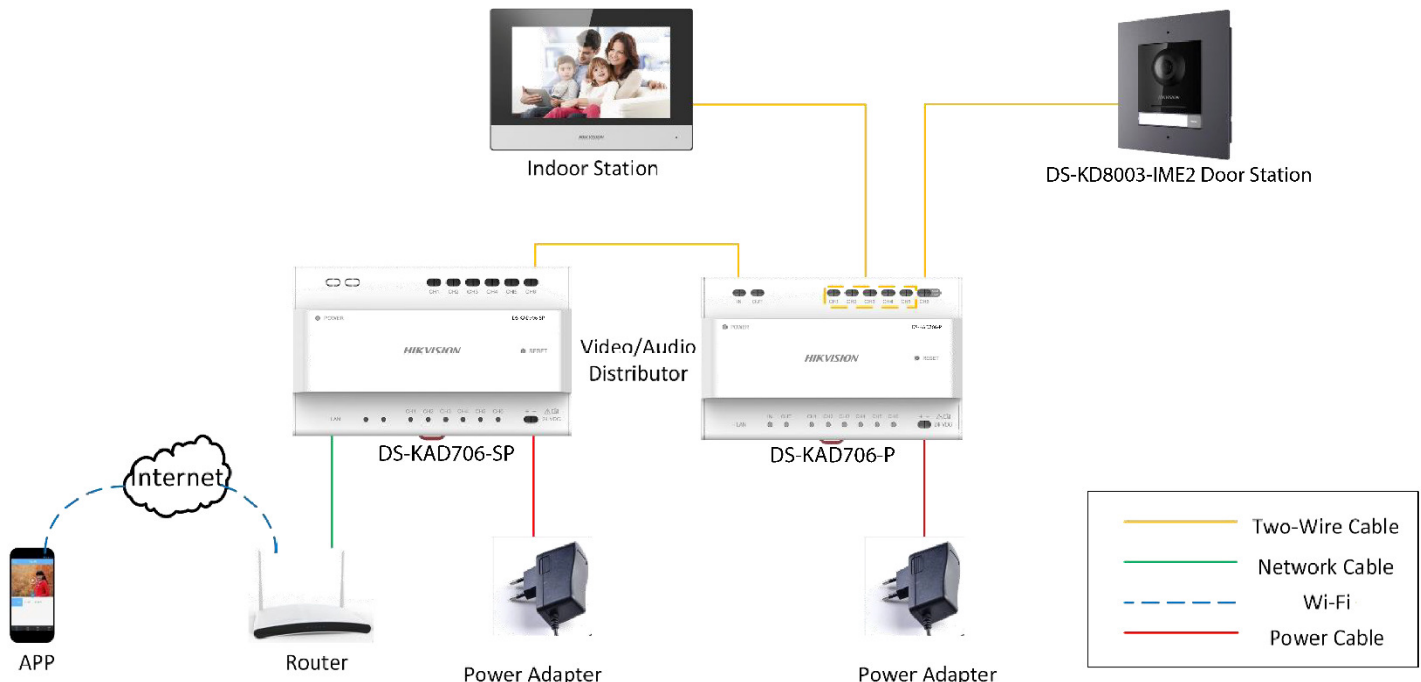
Available Model

DS-KD8003-IME2: Wall or flush mount (requires separate enclosure)

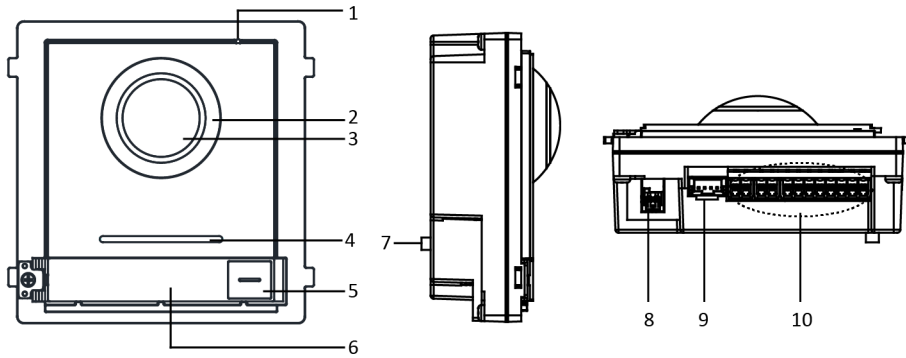
Specifications

DS-KD8003-IME2		
System	Processor	Embedded micro-controller
	Operation Mode	One touch key
	Operating System	Embedded Linux operation system
Video	Input	200 W super definition camera
	Night Shot	Supports low light and IR light-supplement mode
	Backlight Compensation	Supported
	Digital Noise Reduction	Supported
	Wide Dynamic Range (WDR)	True WDR
	Field Angle	Horizontal 180°, vertical 96°
	Video Compression Standard	H.264
	Video Code Stream	Main stream: 1080p @ 30 fps, 720p @ 30 fps (configurable); sub stream: D1
	Video Resolution	Main stream: 1920 × 1080, (720p configurable) Sub stream: 720 × 480
	Motion Detection	Supported
Audio	Flash-Avoid Frequency	50 Hz, 60 Hz
	Audio Intercom	Full-duplex two-way audio intercom
	Audio Input	Omnidirectional microphone
	Audio Output	Loudspeaker, 20 cm sound effect >80 dB
	Audio Compression Standard	G.711 U
	Audio Compression Rate	64 Kbps
Network	Audio Quality	Noise suppression and echo cancellation
	Wired Network Interface	Two-wire transmission
Access Control	Protocol	TCP/IP, RTSP
	Relay Interface (Main Module)	2, NC + NO separately draw forth
Interface	RS-485	1 (inter-module connection)
	Alarm Input	4
Tamper	Supported	1
	Protective Level	IP65
General	Button	1
	Power Input	24 VDC two-wire power supply (<16 W) or 12 VDC independent power supply (<20 W)
	Power Output	12 VDC (only for submodule power supply)
	Working Temperature	-40° to 140° F (-40° to 60° C)
	Working Humidity	10% to 95% non-condensing
	Installation	Wall or surface mounting (requires separate enclosure, as appropriate)

Typical Application



Interface



No.	Description	No.	Description
1	Microphone	6	Nametag
2	Low Illumination IR Supplement Light	7	Tamper
3	Built-in Camera	8	Network Interface and Power Supply
4	Loudspeaker	9	Module-Connecting Interface (output)
5	Call Button	10	Terminals

Transmission Distance

Long Transmission Distance								
Cable Specification	24 AWG (0.2 mm ² , 9 Ω/100 m) Twisted pair	20 AWG (0.5 mm ² , 3.5 Ω/100 m) Twisted pair	18 AWG (0.8 mm ² , 2.5 Ω/100 m) Twisted pair	16 AWG (1 mm ² , 1.5 Ω/100 m) Twisted pair	24 AWG (0.2 mm ² , 9 Ω/100 m) Parallel lines	20 AWG (0.5 mm ² , 3.5 Ω/100 m) Parallel lines	18 AWG (0.8 mm ² , 2.5 Ω/100 m) Parallel lines	16 AWG (1 mm ² , 1.5 Ω/100 m) Parallel lines
DS-KAD706-SP to DS-KAD706-P DS-KAD706-P to DS-KAD706-P	≤197 ft (≤60 m)	≤197 ft (≤60 m)		≤164 ft (≤50 m)	N/A	≤115 ft (≤35 m)		N/A
DS-KAD706-P to DS-KD8003-IME2 DS-KAD706-P to DS-KH6320-WTE2	≤115 ft (≤35 m)	≤328 ft (≤100 m)			≤164 ft (≤50 m)	≤328 ft (≤100 m)		