

DS-KH6320-WTE2

Video Intercom Indoor Station w/7" Touch Screen



Hikvision's DS-KH6320-WTE2 Video Intercom Indoor Station features a 15.1 mm slim design and a colorful 7" capacitive touch screen.

The indoor station can be combined with other Hikvision products and used to set up security solutions with varying levels of sophistication.

Available Models:

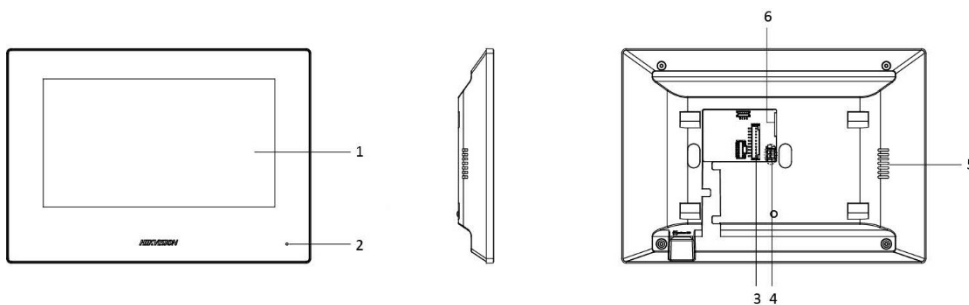
DS-KH6320-WTE2

- New UI v2.0: User-Friendly Design
- 7" Colorful IPS Capacitive Touch Screen with 1024 x 600 Resolution
- Two-Pin Wire for Power Supply and Network Access
- 2-Ch Transmission
- Stores Messages and Captured Pictures on the TF Card
- Remote Unlocking via Client Software or Mobile Client
- Views Live Videos of Door Stations and External Cameras
- Supports Wireless Network

Specifications

System	
Processor Basic Frequency	1G
Memory	128 Mb
Flash	126 Mb (32 Gb hardware compatibility)
Operation System	Embedded Linux operating system
Display	
Display Screen	7" TFT LCD
Display Resolution	1024 x 600
Operation Method	Capacitive touch
Audio	
Audio Input	Built-in omnidirectional microphone
Audio Output	Built-in loudspeaker
Volume	Local or software control
Audio Compression Standard	G.711U
Audio Compression Rate	64 Kbps
Audio Quality	Noise suppression and echo cancellation
Network	
Wired Network	BroadR-Reach
Wireless Network	Wi-Fi 802.11b/g/n
Protocol	TCP/IP, SIP, RTSP
Interface	
Network Interface	Two-wire interface
RS-485	1
Alarm Input	8 zone alarm input
Relay Output	2
TF Card	Supported, maximum 32 Gb
Power Interface	Two-wire interface
Extended Application	
Mobile Client	Supported
Indoor Call Elevator	Supported
IP Camera	Supported
General	
Power Supply Mode	Two-wire
Power Consumption	≤ 6 W
Working Temperature	-14° to 122° F(-10° C to 50° C)
Working Humidity	0 to 90%
Dimensions (W x H x D)	7.87" x 5.51" x 0.59" (200 mm x 140 mm x 15.1 mm)

Landmarks



No.	Description	No.	Description
1	Display Screen	4	Power Interface
2	Microphone	5	Loudspeaker
3	Alarm Terminal	6	Interface and Power Supply

Typical Application

