

IP Ceiling Speaker for SIP Endpoint Paging or Multicast Paging / Background Music

The Viking model **40-IP** Ceiling/Wall Speaker enables SIP endpoint paging and also allows for standard paging via multicast. The Line Level Input can be used for background music. The speaker easily connects with a single CAT5/6 cable from your PoE switch. The night ring feature is programmable for time of day and day of week to enable loud ringing for after hour incoming calls. Its shallow depth allows the speaker to be conveniently mounted in a standard 2" x 4" stud wall or ceiling.

Line-level audio output connections are provided for connecting to an external amplifier. A built-in 6 Watt class D amplifier with speaker output connections are also provided to directly drive additional analog speakers. The LED on the **40-IP** can be programmed to light during paging.

Model
40-IP



⚠ Installation requires a Network Administrator / IT Technician

Features

- SIP compliant (see page 2 for more information)
- PoE powered (class 3, <13 Watts)
- Paging prioritization
- Plays audio from standard multicast sources
- SIP endpoint or multicast group member
- Line-level Input for background music
- Blue paging status LED indicator
- Built-in high efficiency 6 Watt class D amplifier
- SIP/Multicast: SIP page, SIP page and zoned multicast receive
- Support for access code to prevent unwanted SIP calls
- Line-level audio output for connecting to an external amplifier
- Network remote speaker volume control
- Can drive up to 5 external analog speakers for greater coverage
- Mounting: Blind mounts into 9.5" hole, clearance requirement of 3.45" (87.3 mm) above 0.5" gypsum board ceiling
- Heavy duty back box protects speaker and circuitry from plenum dust
- Programmable pre page alert tone
- Compatible with Polycom multicast paging

Information: 715-386-8861
www.VikingElectronics.com

Applications

- Amplified SIP endpoint or multicast IP paging for: schools, hospitals, retail stores, office spaces, etc.
- Provide background music and sound masking
- Add programmable secure relay control with Viking RC-4A (DOD 582)

Specifications

Power: PoE class 3 (<13 Watts)
Dimensions: Overall: 11" x 11" x 4" (279 mm x 279 mm x 102 mm)
 Back box: 9.25" x 9.25" x 3.45" (235 mm x 235 mm x 88 mm)
Shipping Weight: 5.0 lbs (2.27 kg)
Operating Temperature: -40°F to 140°F (-40° C to 60° C)
Humidity - Standard Products: 5% to 95% non-condensing
SIP Audio Codecs: G711u, G722 and G711a
Multicast Audio Codecs: G711u and G722 (G722 requires R8.11.1912 or higher IP firmware)
Network Compliance: IEEE 802.3 af PoE, SIP 2.0 RFC3261, 100BASE-TX with auto cross over
Regulatory Compliance: CE, FCC Part 15 and Canada ICES-003 Class A
Maximum Output Level: 105 dB SPL @ 1M (with no additional speakers connected)
Amplifier: 6 Watt class D (capable of driving up to five additional 8 Ohm speakers connected in parallel)
Connections: (1) RJ45 10/100 Base-T, (1) 6 position terminal block

VoIP SIP System Compatibility

For compatibility and vendor specific detailed configuration instructions, see the **Viking VoIP SIP System Compatibility List**, DOD 944. To open and download this PDF file:

Scan the QR code below to open and download the **Viking VoIP SIP System Compatibility List**



- OR -

1. Go to **www.vikingelectronics.com** and enter **944** in the search box
2. Click **Application Note (DOD 944)** to open and download the PDF

Important: Exclusion from this list means only that compatibility has not been verified, **it does not mean incompatibility.** If you have questions, please call Viking Electronics at 715-386-8861.

Managing Power Losses

Maximum recommended length (in feet) for the number of 8 Ohm speakers on a wire pair to maintain a volume loss of less than 5dB. Once the length limit has been reached for the wire gauge used, if additional speakers are needed, start back at the **40-IP** with a 2nd parallel wire run. If the length limit is reached again, start a 3rd run, etc. See **DOD 895** for an example.

Wire Gauge Size	#16	2,000'	1,000'	665'	500'	400'
	#18	1,250'	625'	420'	315'	250'
	#20	800'	400'	265'	200'	160'
	#22	500'	250'	165'	125'	100'
	#24	315'	155'	105'	80'	60'
		1	2	3	4	5

Number of 8 Ohm Speakers on Each of the Two Wire Runs

Note 1: Mount the **40-IP** close to where the other speakers are installed to minimize the speaker wire run lengths.

Note 2: Using half the recommended distance or half as many speakers per run will keep the volume lost limited to 3db.

Note 3: Doubling up the wires will allow double the length, or reduce the amount of volume loss.

Note 4: Heavier gauge wire, fewer speakers per run, and shorter runs will all minimize volume loss.

Definitions

Client: A computer or device that makes use of a server. As an example, the client might request a particular file from the server.

DHCP: Dynamic Host Configuration Protocol. In this procedure the network server or router takes note of a client's MAC address and assigns an IP address to allow the client to communicate with other devices on the network.

DNS Server: A DNS (Domain Name System) server translates domain names (ie: www.vikingelectronics.com) into an IP address.

Ethernet: Ethernet is the most commonly used LAN technology. An Ethernet Local Area Network typically uses twisted pair wires to achieve transmission speeds up to 1Gbps.

Host: A computer or device connected to a network.

Host Name: A host name is a label assigned to a device connected to a computer network that is used to identify the device in various forms of network communication.

Hosts File: A file stored in a computer that lists host names and their corresponding IP addresses with the purpose of mapping addresses to hosts or vice versa.

Internet: A worldwide system of computer networks running on IP protocol which can be accessed by individual computers or networks.

IP: Internet Protocol is the set of communications conventions that govern the way computers communicate on networks and on the Internet.

IP Address: This is the address that uniquely identifies a host on a network.

LAN: Local Area Network. A LAN is a network connecting computers and other devices within an office or building.

Lease: The amount of time a DHCP server reserves an address it has assigned. If the address isn't used by the host for a period of time, the lease can expire and the address can be assigned to another host.

MAC Address: MAC stands for Media Access Control. A MAC address, also called a hardware address or physical address, is a unique address assigned to a device at the factory. It resides in the device's memory and is used by network equipment to send data packets to the correct IP address. You can find the MAC address of your **40-IP** speaker printed on a white label just above the PoE LAN port (see page 4).

Router: A device that forwards data from one network to another. In order to send information to the right location, routers look at IP Address, MAC Address and Subnet Mask.

RTP: Real-Time Transport Protocol is an Internet protocol standard that specifies a way for programs to manage the real-time transmission of multimedia data over either unicast or multicast network services.

Server: A computer or device that fulfills requests from a client. This could involve the server sending a particular file requested by the client.

Session Initiation Protocol (SIP): Is a signaling communications protocol, widely used for controlling multimedia communication sessions such as voice and video calls over Internet Protocol (IP) networks. The protocol defines the messages that are sent between endpoints, which govern establishment, termination and other essential elements of a call.

Static IP Address: A static IP Address has been assigned manually and is permanent until it is manually removed. It is not subject to the Lease limitations of a Dynamic IP Address assigned by the DHCP Server. The default static IP Address is: **192.168.154.1**

Subnet: A portion of a network that shares a common address component. On TCP/IP networks, subnets are defined as all devices whose IP addresses have the same prefix. For example, all devices with IP addresses that start with 100.100.100. would be part of the same subnet. Dividing a network into subnets is useful for both security and performance reasons. IP networks are divided using a subnet mask.

TCP/IP: Transmission Control Protocol/Internet Protocol is the suite of communications protocols used to connect hosts on the Internet. TCP/IP uses several protocols, the two main ones being TCP and IP. TCP/IP is built into the UNIX operating system and is used by the Internet, making it the de facto standard for transmitting data over networks.

TISP: Telephone Internet Service Provider

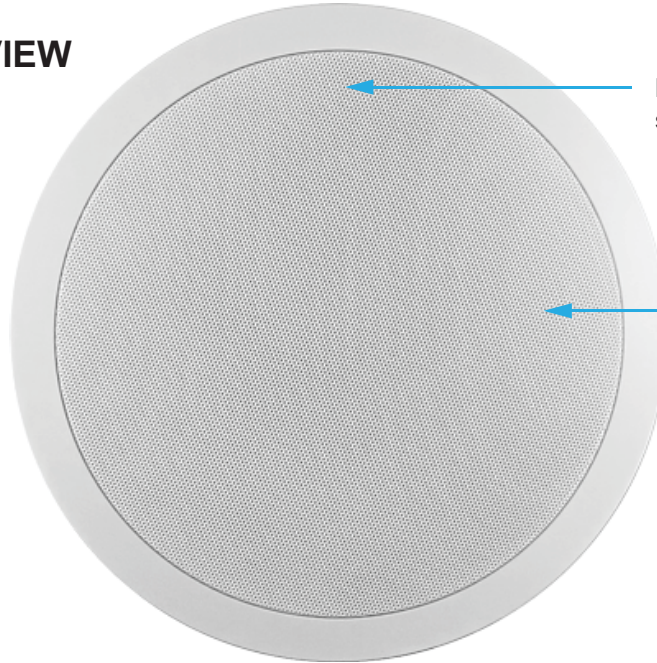
WAN: Wide Area Network. A WAN is a network comprising a large geographical area like a state or country. The largest WAN is the Internet.

Wireless Access Point (AP): A device that allows wireless devices to connect to a wired network using Wi-Fi, or related standards. The AP usually connects to a router (via a wired network) as a standalone device, but it can also be an integral component of the router itself.

Wireless Repeater (Wireless Range Extender): takes an existing signal from a wireless router or access point and rebroadcasts it to create a second network. When two or more hosts have to be connected with one another over the IEEE 802.11 protocol and the distance is too long for a direct connection to be established, a wireless repeater is used to bridge the gap.

Features Overview

FRONT VIEW



Blue Call/Status LED: Lights steady when paging is active.

Speaker: 8" paper with wizzer cone

SIDE VIEW



MAC Address Label:
The MAC address is a unique 12 digit number used by network equipment to send data packets to the correct IP address.

Adjustable Mounting Clamps

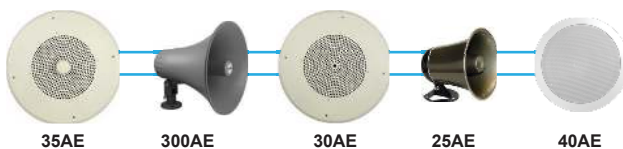
Reset Switch:
See page 9, section D and E.

Green Unit Status LED

PoE LAN Port 10/100, PoE Class 3 (<13 Watts):
Connect to your LAN via RJ45 plug and CAT5 or greater twisted pair wire.

Yellow Network Status LED: Lights steady to indicate power and data link. Blinks to indicate network activity.

Up to (5) Optional Viking Analog Speakers,
see DOD 497 and 498 (not included)



See **MANAGING POWER LOSS** section on page 2.

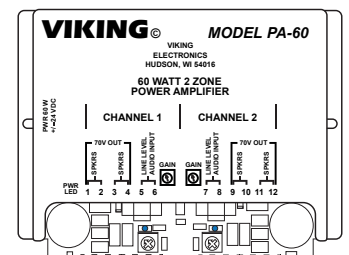
Line In

**Background Music
Line Level Audio
Source (Mono)**

**Speaker
Out**

**Line Out
600 Ohm
Paging
Audio**

Optional Paging Amplifier
Viking model PA-60 shown (DOD 493)



Up to (15)
8 Ohm Speakers
(25AE shown,
not included)

Up to (15)
8 Ohm Speakers
(30AE shown,
not included)

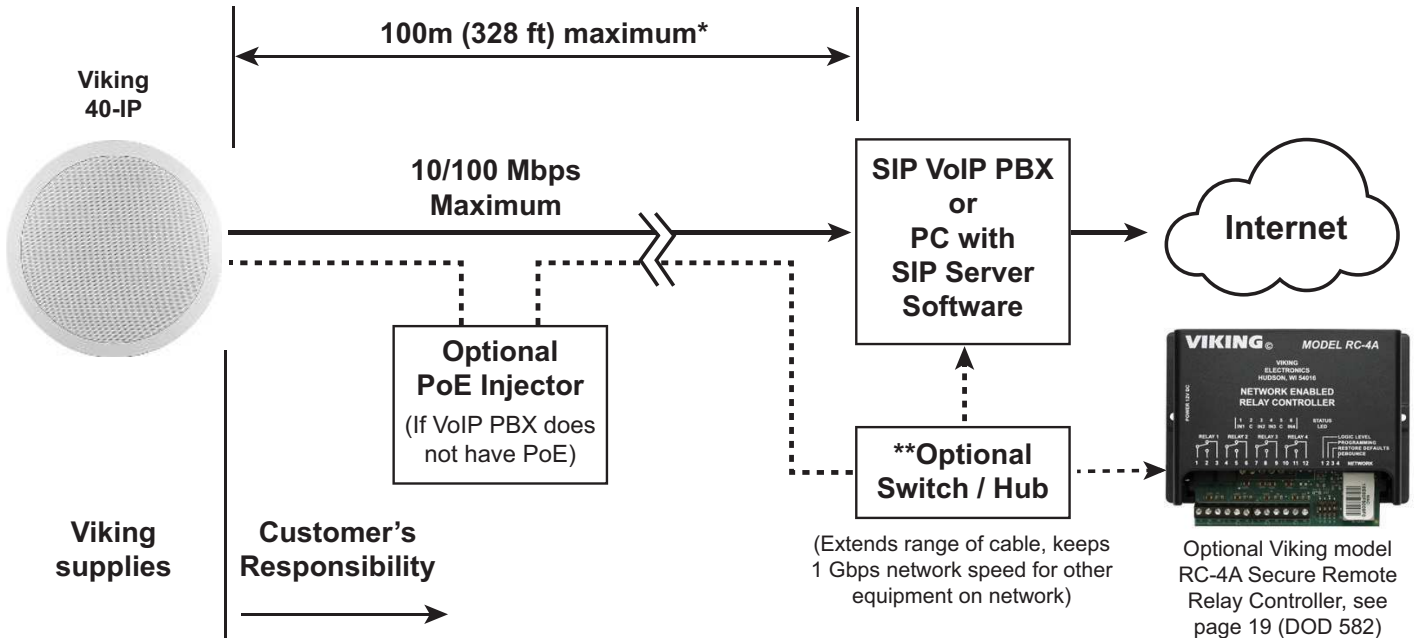
Up to (15)
8 Ohm
Speakers
(40AE shown,
not included)

Up to (15)
8 Ohm Speakers
(35AE shown,
not included)

Mounting

The **40-IP** Ceiling Speaker is intended to be mounted in a T-bar acoustic tile, gypsum ceiling or wall. An optional T-Bar support bracket (SA-TBA) is available that can transfer the speaker weight onto the T-bar rails. Installation instructions are provided with the support bracket. The metal protective speaker grill must be removed to access the four Phillips head screws that operate the four clamps. A small wire speaker grill removal tool is provided to remove the grill. The clamp screws must be sufficiently loose to allow clamps to rotate and clear the ceiling material thickness. When tightened, the clamps are locked to prevent rotating. Removal of the speaker from the ceiling requires the clamps to be sufficiently loosened before they can rotate in to pass through the 9.5" hole required in the ceiling. The wiring connections are easiest made prior to mounting if possible. Network connection is made by inserting a RJ45 plug into the jack on the side of the housing. Wire connections for relay input, switch input, speaker output and line level output (if used) are made using the 4 position pluggable terminal block provided. The back box helps prevent plenum dust from entering the enclosure. With connections made, lift the housing into the ceiling and tighten the 4 clamps using a #2 Phillips screwdriver until snug. After installation and testing the speaker grill can then be fastened by adding grill adhesive (provided with grill removal tool) to 4 edges of grill then gently working the speaker grill into its friction fit position and ensure it is evenly flush to the housing around the edge. The speaker grill is intentionally tight to prevent falling from the ceiling. A speaker grill removal tool supplied with the **40-IP** Ceiling Speaker can be used to remove the grill. If lost, a small Allen key or heavy duty paperclip bent into an L shape can be used to remove the grill by pulling close to the edge.

Typical Installation on SIP Based VoIP Phone System



* **Note:** A PoE extender can be used for an additional 100 meters per extender. For longer runs (up to 2 km / 1.2 miles) a ethernet to fiber media converter can be used.

** Network Port Settings

- Make sure the port is not in trunk mode
- Make sure port is capable of 100mbps full duplex
- Disable Spanning Tree Protocol (STP) or enable Portfast

PC Requirements

- IBM compatible personal computer with: Windows 7, 8 or 10
- Adobe Acrobat Reader 8 or higher
- 40-IP hardware
- Available LAN with PoE (class 3, <13 Watts)
- Ethernet cable (CAT5 minimum)
- 1 MB minimum free hard drive space for installation
- 16MB of free physical RAM

PC Programming

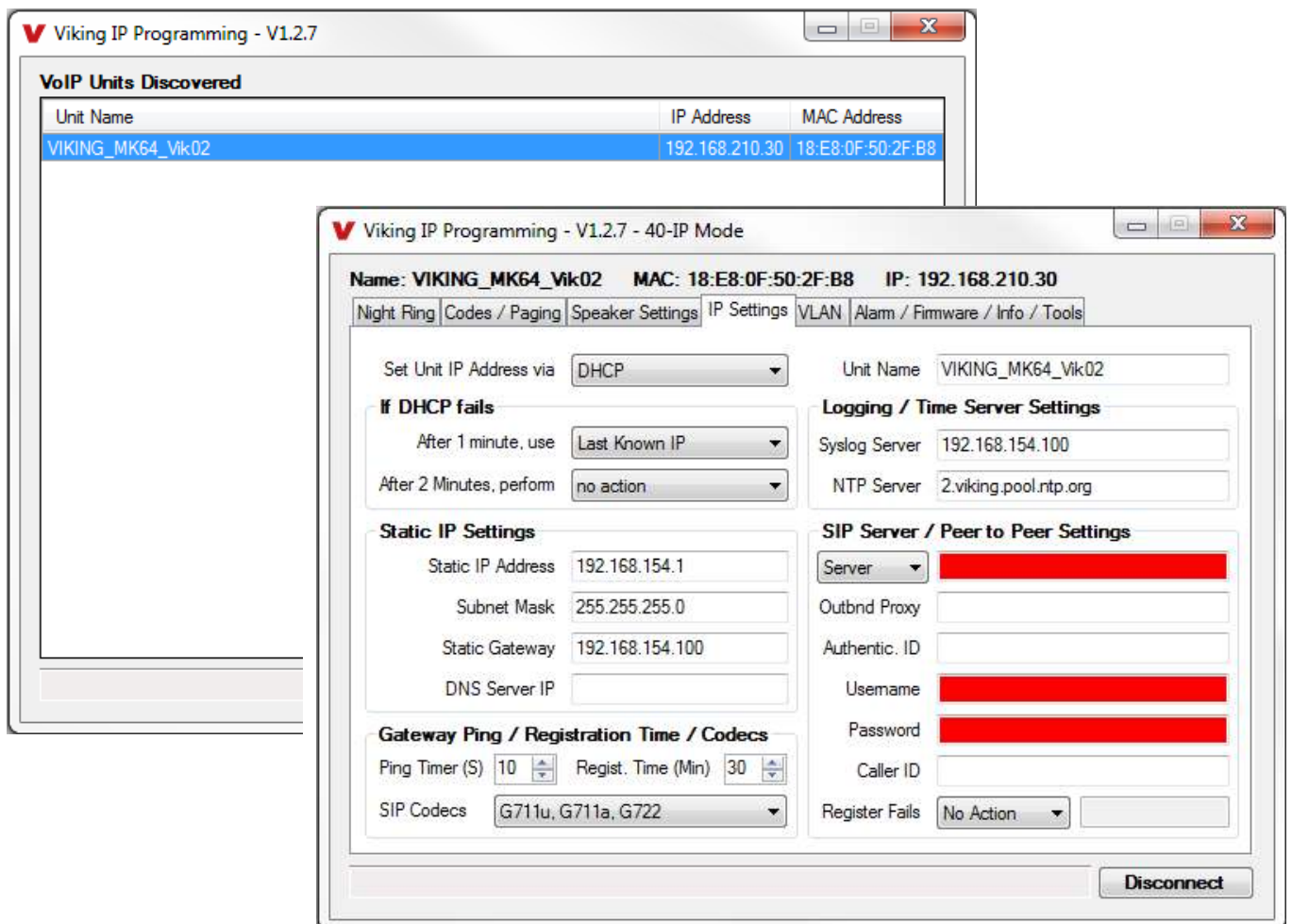
Download and install the programming software

1. Go to www.vikingelectronics.com and enter **40-IP** in the search box
2. Click **40-IP** in the search results
3. Scroll down the page to Downloads, click **IP Programming Software**
4. Install the programming software by saving or opening the file and then clicking on **setup Viking IP Programming.exe**
5. Follow the prompts on your screen to complete software installation
6. To start the Viking IP Programming application, click on the Viking IP Programming icon on your desktop. The Main screen will appear, allowing the user to program any **40-IP** connected to that LAN.

Note: PC must be connected to the same LAN as the **40-IP**.

A. Connect/Disconnect

Open the “Viking IP Programming” software on the PC and the start screen shown below will appear. Any Viking IP products that are connected to the network will appear on the list. Simply select the **40-IP** on the list and click on the “Connect” button at the bottom or double click the selected speaker. If no username and password have been programmed and the security code of the selected unit is still set to default (845464), the PC software will not require entering a username, password or security code to connect to the **40-IP**. If the **40-IP** has been programmed with a username and password, a pop up window will ask for the username followed by the password. If the unit’s security code has been changed from “845464”, it will then prompt for the correct security code. **40-IP**’s have a default name of “VIKING_MK64_Vik02”, so if many 40-IP’s are connected to the same network and all have the default name, MAC addresses must be used to identify each **40-IP**. When finished programming, click on the “Disconnect” button at the bottom. Closing the program will also automatically disconnect the unit.



B. Configuring the 40-IP Network Settings

Step 1.	Open the "Viking IP Programming" software on a windows PC that is connected to the same LAN as the 40-IP speaker to be programmed.
Step 2.	The window in the upper left corner of the menu will show you each 40-IP speaker that is connected to that LAN. Select the unit with the same MAC address shown on the label next to the Ethernet connector on the 40-IP speaker.
Step 3.	Click on the "connect" button. A default 40-IP has no username or password programmed, the security code is set to "845464" and when configured this way, you are instantly connected to the 40-IP. If the 40-IP has been programmed with a username and password, a pop up window will ask for the username followed by the password. If the unit's security code has been changed from "845464", it will then prompt for the correct security code, then click "retry".
Step 4.	The program will then read and display the 40-IP speaker's IP and programming settings.
Step 5.	Click on the "IP Settings" tab.
Step 6.	Select the appropriate value Static IP Settings or DHCP for "Set Unit IP Address via". Note: Changing the IP address will cause you to have to reconnect to the unit. Enter the values for the fields in "if DHCP fails" or "Static IP Settings" as needed.
Step 7.	Set the "Unit Name", "Logging / Time Server Settings" as needed.
Step 8.	Select Peer-Peer in the "SIP Server / Peer to Peer Settings" to use the unit in Peer to Peer mode or for Multicast paging only. Select Server to register with a SIP registrar server and fill in the "Outbnd Proxy" (SIP Outbound Proxy Server Address, "ip:port"), "Authentic. ID" (SIP Authentication ID), "Username" (SIP Username, <string>), "Password" (SIP Password), and "Caller ID" (SIP Caller ID) with values from your VoIP provider. Required fields will be red when the unit is not registered.

Viking IP Programming - V1.2.7 - 40-IP Mode

Name: VIKING_MK64_Vik02 MAC: 18:E8:0F:50:2F:B8 IP: 192.168.210.30

Set Unit IP Address via: DHCP Unit Name: VIKING_MK64_Vik02

If DHCP fails: After 1 minute, use Last Known IP; After 2 Minutes, perform no action

Static IP Settings: Static IP Address: 192.168.154.1; Subnet Mask: 255.255.255.0; Static Gateway: 192.168.154.100; DNS Server IP: [empty]

Logging / Time Server Settings: Syslog Server: 192.168.154.100; NTP Server: 2.viking.pool.ntp.org

SIP Server / Peer to Peer Settings: Server: [red]; Outbnd Proxy: [empty]; Authentic. ID: [empty]; Username: [red]; Password: [red]; Caller ID: [empty]; Register Fails: No Action

Gateway Ping / Registration Time / Codecs: Ping Timer (S): 10; Regist. Time (Min): 30; SIP Codecs: G711u, G711s, G722

Disconnect

Example 1: On-Premise SIP Phone System

(Panasonic TDE 100/200)

Example 2: Cloud Based Service Provider

(Voip.ms)

Example 3: Cloud Based Service Provider requiring Outbound Proxy and Authentication ID (Ring Central)

SIP Server / Peer to Peer Settings

Server: 192.168.0.101

Outbnd Proxy: [empty]

Authentic. ID: [empty]

Username: 117

Password: 9140

Caller ID: Door 1

Register Fails: Re-Resolve

SIP Server / Peer to Peer Settings

Server: chicago4.voip.ms

Outbnd Proxy: [empty]

Authentic. ID: [empty]

Username: 190106

Password: Bear987654!

Caller ID: Door 1

Register Fails: Re-Resolve

SIP Server / Peer to Peer Settings

Server: sip.ringcentral.com:5060

Outbnd Proxy: sip20.ringcentral.com:5090

Authentic. ID: 16572241020

Username: 17159644561

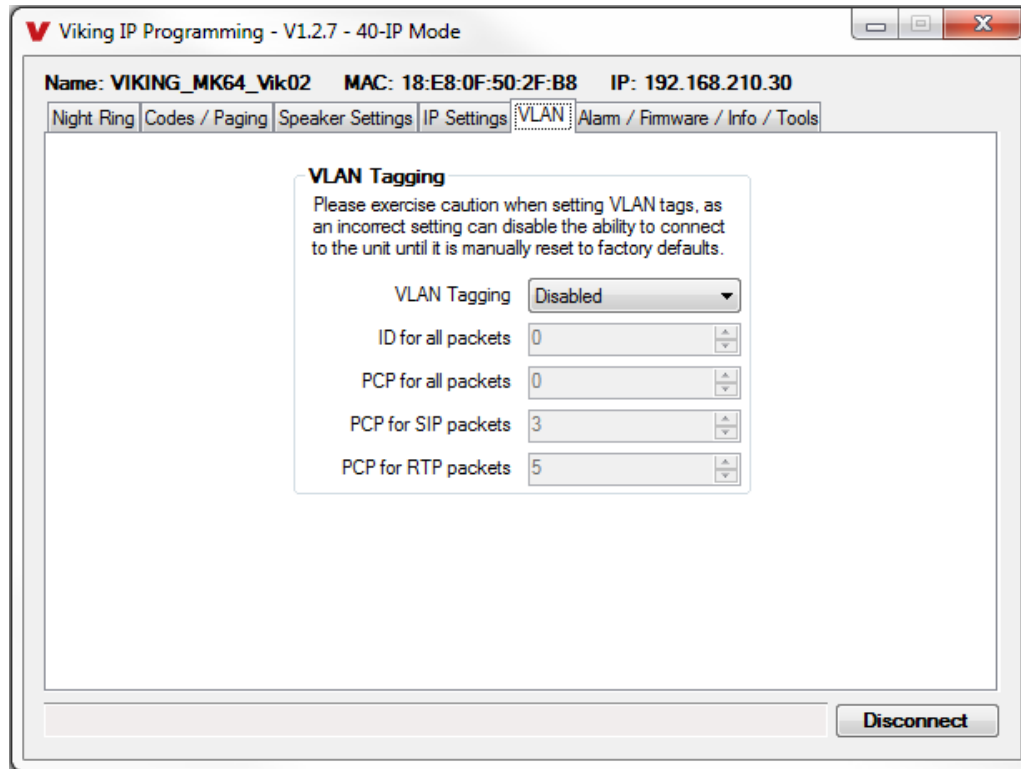
Password: 5j8QA28Lp

Caller ID: Door 1

Register Fails: Re-Resolve

C. Configuring 40-IP VLAN Settings

Step 1.	Click on the "VLAN" tab
Step 2.	Disable or enable VLAN tagging by setting the value of "VLAN Tagging".
Step 3.	Set the VLAN tag ID by selecting an integer (1 to 4094) in "ID for all packets".
Step 4.	Set the Priority Code Point (PCP) value for all not SIP and RTP packets in the "PCP for all packets" input (0 is default, priorities are from low to high: 0, 1, 2, 3, 4, 5, 6, 7). Set the "PCP for SIP packets" (3 is default). Set the "PCP for RTP packets" (5 is default).



D. Manually Resetting the Security Code to Enter Programming

Note: This procedure will not erase a username and password used to access the 40-IP program mode. Only the security code is set to default.

Step 1.	Power down the 40-IP speaker by disconnecting the LAN Cable (RJ45 plug).
Step 2.	Press and hold the Reset button, then reconnect the LAN Cable (RJ45 plug).
Step 3.	Continue to hold reset button until you hear 2 beeps, (approximately 6 seconds). Then release the button. The LED will remain off for the first 3 seconds, flash slowly for 3 seconds then fast flash (after 2 beeps), indicating when to release button.
Step 4.	The security code is now reset to 845464 (factory default).
Step 5.	You can now enter programming by following the steps in section A.

E. Manually Resetting All Network Parameters to Factory Default

Note: This procedure will erase a username and password that are used to access the 40-IP program mode.

Step 1.	Power down the 40-IP phone by disconnecting the LAN Cable (RJ45 plug).
Step 2.	Press and hold the Reset button, then reconnect the LAN Cable (RJ45 plug).
Step 3.	Continue to hold the Reset button until you hear 2 beeps, (approximately 6 seconds). Continue to hold Reset button until you hear 4 more beeps, (approximately 6 seconds later), then release the button. The LED will remain off for the first 3 seconds, flash slowly for 3 seconds (2 beeps), fast flash for 6 seconds (4 beeps), then light steady indicating when to release button.
Step 4.	You can now enter programming by following the steps in section A.

Programming Features Index

DESCRIPTION	Section	Page
Connect/Disconnect	A	7
VLAN Settings	C	9
Unit Name	1	11
SIP Server	2	11
Peer to Peer Settings	3	11
Outbound Proxy	4	11
Authentication ID	5	11
Register Fails	6	11
Security code (factory set to 845464)	7	12
Access Code (1 - 6 digits, blank = disabled, factory set to 123456)	8	12
Multicast Page Type (factory set to Standard)	9	12
SIP Page Priority over Multicast Page	10	13
Multicast Paging	11	13
Multicast Paging Volume (0 - 19, factory set to 1)	12	13
External Relay (factory set to Disabled)	13	14
Relay Mode (Door Strike, Paging, Ring, Ring Flash, factory set to Door Strike)	14	14
Relay Activation Command (1 or 2 digits, factory set to **) <i>NOTE: Relay Mode must be set to Door Strike</i>	15	14
Relay Activation Time (0.5 - 99 sec, factory set to 5 sec)	16	14
Relay Buzz Volume (1 - 3 or Disabled, factory set to 3)	17	15
Relay Latch Commands (Enabled or Disabled, factory set to Enabled) <i>NOTE: Relay Mode must be set to Door Strike</i>	18	15
SIP Paging Volume (0 - 19, factory set to 1)	19	15
Ring Volume (0 - 19, factory set to 5)	20	15
SIP Page Length Time Out (disabled or 1 - 9 minutes, factory set to 3 minutes)	21	15
Multicast Page Length Time Out (1 - 255 seconds, factory set to 180 seconds)	22	15
Inbound Call Mode (Disabled, Auto Answer, Auto Answer-Secure or Ring, factory set to Auto Answer)	23	15
Ring Cadence (factory set to Normal, 2 seconds on 4 seconds off)	24	16
LED Mode (OFF, ON or Paging, factory set to Paging)	25	16
Line Out Control	26	16
DTMF Regeneration	27	16
Pre Page Tone	28	16
Mute Current / Next Alarm	29	17
Permanent Alarm Mute	30	17
Programming User name and Password	31	17
IP Firmware	32	17
Unit Firmware	33	17
Import/Export	34	17
Clear Speaker Settings	35	17
Clear IP Settings	36	18
Night Ring Timed Operation	37	18
Time Zone Settings/daylight Saving Time	38	18
Line In	39	18

Programming Features

1. Unit Name

Up to a 31 character unit name can be assigned to the **40-IP** being programmed.

2. SIP Server

Enter the IP address or URL of your SIP server or service provider in this field. The SIP server IP address is limited to 74 characters. **Note:** *If an alternate SIP server IP address is programmed, the IP address for the SIP server and alternate SIP server will be limited to 31 characters.* **Note:** *If outbound proxy is not required, enter the SIP server IP address into the Outbnd Proxy field.*

3. Peer to Peer Settings

When set to Peer to Peer mode, a SIP server is not used. The unit should be programmed with a Static IP Address and Username, a password is not used. Caller ID can be programmed if needed. Simply call the unit by entering the programmed "username@192.168...(Static IP address for the unit)". The static IP address is normally programmed into a page button on the VoIP telephones.

4. Outbound Proxy

If your SIP provider requires an outbound proxy IP address enter it in the Outbnd Proxy field. If outbound proxy is not required enter the SIP server IP address into the Outbnd Proxy field. **Note:** *If not required, this field must match your SIP server IP address.*

5. Authentication ID

If your SIP provider requires Authentication ID, enter it in the Authentic. ID field. If Authentication ID is not required, leave this field blank.

6. Register Fails (Re-Resolve or Alternate Server)

When registered to a SIP server in the event that registration is lost you can program the unit to re-resolve using the current SIP server IP address or route pages through an alternate SIP server. With Alternate Server selected enter the IP address of the alternate SIP server in the field next to the Register Fails drop down box. **Note:** *With an alternate SIP server IP address programmed, the IP address for the SIP server and alternate SIP server will be limited to 31 characters.*

Viking IP Programming - V1.2.7 - 40-IP Mode

Name: VIKING_MK64_Vik02 MAC: 18:E8:0F:50:2F:B8 IP: 192.168.210.30

Night Ring Codes / Paging Speaker Settings IP Settings VLAN Alarm / Firmware / Info / Tools

Security and Access Codes

Security Code (6 digits) 845464

Access Code (0-6 digits) 123456

SIP Page Priority over Multicast Page

SIP page priority level Above Group 0 (Highest)

(Group 0 is highest priority, group 9 is lowest)

Paging Sources (Multicast IP and Port) - Volume Level - Timeout Enable/Disable

Group	IP	Port	Vol	TO	Group	IP	Port	Vol	TO
0		1	1	TO	5		1	1	TO
1		1	1	TO	6		1	1	TO
2		1	1	TO	7		1	1	TO
3		1	1	TO	8		1	1	TO
4		1	1	TO	9		1	1	TO

Apply Disconnect

7. Security Code

The security code allows the user/installer to program the **40-IP** with a PC and the required ‘Viking IP Programming’ software. If the security code is left as default, the PC software won’t require entering a security code when connecting to the **40-IP**. It is recommended that the factory set security code be changed. The security code can be set back to default by holding the Reset button while the **40-IP** powers up. See section D on page 9 for details. It can also be defaulted by connecting to the unit with the IP Programming Software and clicking on the ‘Clear Speaker Settings’ button on the ‘Alarm / Firmware’ tab. **Factory Setting:** 845464

Note: The security code must be 6 digits and cannot include a * or #.

8. Access Code

The Access Code is primarily used along with the ‘Auto Answer Secure’ Inbound Call Mode to force inbound SIP page callers to dial the Access Code before they can make a SIP page. The Access Code also comes into play when using the optional **RC-4A** relays to open a door or gate. When you call the **40-IP** and the unit automatically answers the call (see Programming section 22), you must dial the Access Code before you are allowed to operate the door strike relays, as extra security on inbound calls. Once a tenant has entered the correct Access Code, 2 beeps are heard and the user can now enter any ‘Operation Commands’ (see Operation section C). The Access Code can be disabled if this basic security is not required. **Factory Setting:** 123456

Note: The Access Code can be 1 - 6 digits in length and cannot include a * or # or match the numbers used for the Security Code.

9. Multicast Page Type

Multicast page Type needs to be selected under the Speaker Settings tab (see Picture on page 13). Select Standard or Polycom as the source of multicast paging. If Polycom is selected as the source, the Codes / Paging screen will change to show its options (shown below).

Factory Setting: Standard (shown on page 11)

Viking IP Programming - V1.2.7 - 40-IP Mode + Line In

Name: VIKING_MK64_Vik02 MAC: 18:E8:0F:50:62:19 IP:

Night Ring Codes / Paging Speaker Settings IP Settings VLAN Alarm / Firmware / Info / Tools

Security and Access Codes

Security Code (6 digits) 845464

Access Code (0-6 digits) 123456

SIP Page Priority over Multicast Page

SIP page priority above Polycom

Polycom Paging Source and Group Subscriptions

IP Address 224.0.1.116 Port 5001 Volume 1 Timeout

Select which Polycom groups to subscribe to, group 25 (Emergency) is always enabled

<input checked="" type="checkbox"/> Grp 01	<input checked="" type="checkbox"/> Grp 02	<input checked="" type="checkbox"/> Grp 03	<input checked="" type="checkbox"/> Grp 04	<input checked="" type="checkbox"/> Grp 05	<input checked="" type="checkbox"/> Grp 06	<input checked="" type="checkbox"/> Grp 07	<input checked="" type="checkbox"/> Grp 08
<input checked="" type="checkbox"/> Grp 09	<input checked="" type="checkbox"/> Grp 10	<input checked="" type="checkbox"/> Grp 11	<input checked="" type="checkbox"/> Grp 12	<input checked="" type="checkbox"/> Grp 13	<input checked="" type="checkbox"/> Grp 14	<input checked="" type="checkbox"/> Grp 15	<input checked="" type="checkbox"/> Grp 16
<input checked="" type="checkbox"/> Grp 17	<input checked="" type="checkbox"/> Grp 18	<input checked="" type="checkbox"/> Grp 19	<input checked="" type="checkbox"/> Grp 20	<input checked="" type="checkbox"/> Grp 21	<input checked="" type="checkbox"/> Grp 22	<input checked="" type="checkbox"/> Grp 23	<input checked="" type="checkbox"/> Grp 24

Apply Disconnect

10. SIP Page Priority over Multicast Page

Incoming **40-IP** SIP call audio streams can be programmed to have priority over any of the 10 standard Multicast paging groups. Simply use the “Sip Page Priority Level” drop down menu to select which Multicast group you want SIP calls to have priority over. **Factory Setting:** “0” (SIP is highest priority).

When Polycom is selected as the Multicast Page Type, the “SIP Page Priority Level” can be set to “Polycom” or “None”. See the following tables for the order of priorities with each setting. As shown, Polycom Group 25 multicast is the highest priority. The priority options allow you to determine the priorities for Polycom Groups 1 through 24 multicast signals and SIP paging. **Factory Setting:** Polycom

Paging Priorities (SIP Page Priority Level set to “Polycom”)	Paging Priorities (SIP Page Priority Level set to “None”)
Polycom Group 25	Polycom Group 25
SIP Paging	Polycom Groups 1-24
Polycom Groups 1-24	SIP Paging
Line In Audio Source	Line In Audio Source

11. Standard or Polycom Multicast Paging

Standard

When using standard Multicast Paging, up to 10 standard multicast paging groups can be programmed into each **40-IP** speaker. Each multicast group is defined by a multicast address and port number. Each multicast group is assigned a priority, allowing simultaneously arriving pages to be serviced based on importance. A timeout check box can be selected for each paging group. See Multicast Page Length Time Out under Speaker Settings to adjust the timeout from 1 to 255 seconds. Only one timeout time can be programmed for all Multicast groups. By default groups 0-8 have the timeout enabled, group 9’s timeout is disabled. This is useful for background music.

Assigning Priority to standard multicast

The **40-IP** will prioritize simultaneous Multicast audio streams according to their priority in the Paging Sources list. Group 0 will have the highest priority while group 9 will have the lowest priority. Group 9 is useful for a low priority stream such as background music. Group 0 is useful for high priority streams such as emergency messages.

The multicast paging groups can also be used for up to ten different paging zones for receiving audio streams. A paging zone can consist of one or many **40-IP** multicast speakers. There is no limit to how many speakers can be in a given paging zone. Each multicast group is defined by a multicast address and port number. Each multicast group is assigned a priority, allowing simultaneously arriving pages to be serviced based on importance.

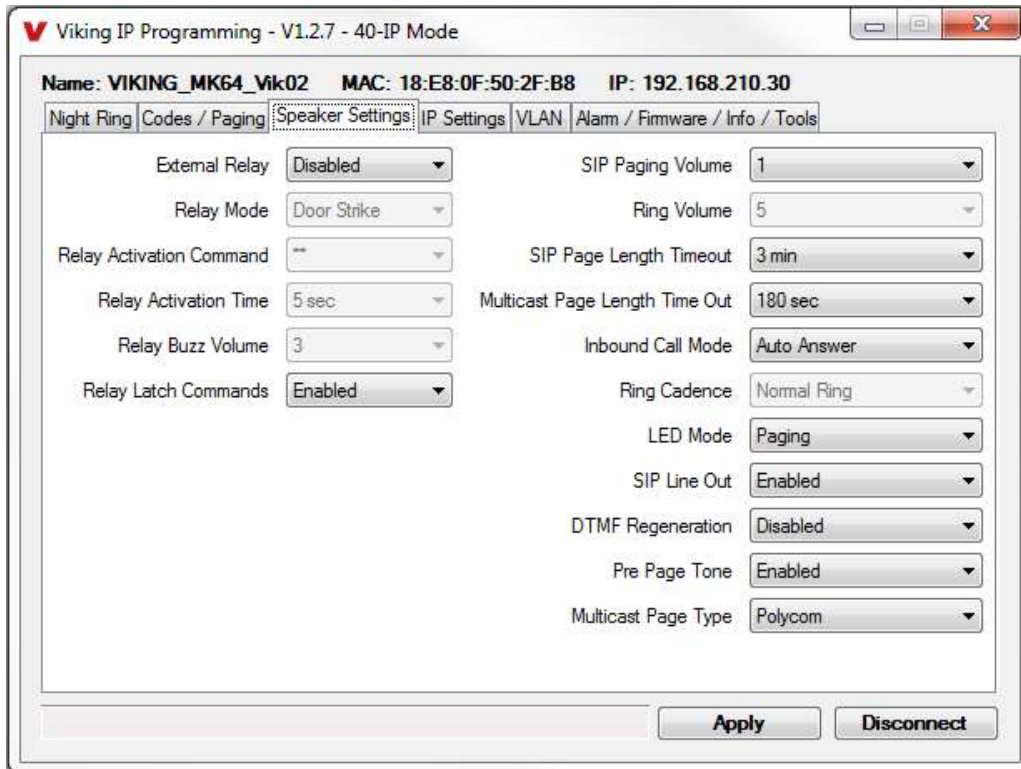
Polycom

Polycom IP phones send multicast audio to a specific IP address and port. A total of 25 groups can be used, with group 25 generally reserved for an emergency broadcast. Set the Multicast Page Type to “Polycom” (“Speaker Settings” tab). The Viking IP programming page will then show “Polycom Paging Source and Group Subscriptions” on the “Codes/Paging” tab. Polycom phones will default to IP address 224.0.1.116 and port 5001 for multicast. Under “Polycom Paging Source and Group Subscriptions”, enter the IP address and port you chose in the Polycom IP phone as “Multicast IP address” and “port” (Paging/PTT Configuration page). Select the paging groups the **40-IP** should subscribe to. Any multicast audio sent to the correct IP address, port number and a subscribed group will be heard from both the Speaker and Line Out terminals. Group 1 is the lowest priority and group 25 is the highest. The Volume and Timeout can be selected globally, although the timeout does not affect group 25.

Factory Setting: All Groups selected

12. Multicast Paging Volume

The volume of each individual standard multicast page can be adjusted from 0 - 19. When polycom paging is used, the paging volume is set globally for all 25 groups. **Factory Setting:** 1



13. Relay Disabled / External

The Relay must be set to “External” for secure relay control installations when using a Viking remote model **RC-4A** relay controller to activate the door strike / gate controller (see page 19). **Factory Setting:** Disabled

14. Relay Mode

Note: The **40-IP** does not have a built-in relay. If relay control is required, an optional **RC-4A** relay controller can be used with the **40-IP**.

Door Strike Mode: When programmed for Door Strike Mode the relay is intended for door strike, maglock or gate control.

Ring Mode: When programmed for Ring Mode the relay will continuously activate while the **40-IP's** extension is called and the **40-IP** is set to loud ring (see Programming sections 22 and 36). This mode is useful for activating a Viking model **SL-2** strobe light, etc.

Ring Flash Mode: When programmed for Ring Flash Mode the relay will momentarily turn on and off in a 400ms on/off cadence while the **40-IP's** extension is called and the **40-IP** is set to loud ring (see Programming sections 22 and 36). This mode is useful for activating a Viking **LPL-1** Remote Visual Indicator, etc.

Paging Mode: When programmed for Paging Mode the relay will activate continuously for the duration of any SIP or Multicast page. This mode is useful for triggering an external amp.

Factory Setting: Door Strike

15. Relay Activation Command (Relay Mode must be set to “Door Strike”)

The one or two digit code stored in the Relay Activation Command is the touch tone command that the person calling the **40-IP** must enter on their phone in order to momentarily activate the **RC-4A** relay to control a doorstrike, mag-lock, gate controller, or other device. The code can contain the characters 0 - 9, # or *. The code cannot match a relay latching or toggle command (*1, *0). The code must be entered while the remote phone is communicating with the Speaker. **Factory Setting:** ** **Note:** If the access code is programmed it must be entered before controlling relays. If this security is not needed, leave the access code blank.

16. Relay Activation Time (Relay Mode must be set to “Door Strike”)

The value stored in the Relay Activation Time is the amount of time the **RC-4A** relay will be energized after a correct momentary touch tone command is entered. This number can range from 0.5 - 99 seconds. **Factory Setting:** 5 seconds

17. Relay Buzz Volume (Relay Mode must be set to “Door Strike”)

The relay activation tone is a buzzing sound that is heard from the speaker when the door strike relay is activated. After the calling party enters the correct relay activation command, the calling party will hear 2 short confirmation beeps and the speaker will output a buzzing sound (relay activation tone) while the door strike relay is activated. The tone (buzz) length will match the relay activation time up to a maximum of 5 seconds. The tone (buzz) can be programmed to three different volume settings 1 = Low, 2 = Medium, 3 = High or it can be disabled. When Disabled the confirmation beeps will not be heard. **Factory Setting:** 3

18. Relay Latch Commands (Relay Mode must be set to “Door Strike”)

The Operation Commands (*0 to *1) to Un-Latch or Latch the relay are enabled. These can be entered on an Inbound call after the access code is dialed (if programmed).

When set to “Disabled” the Operation Commands (*0 to *1) to Un-Latch or Latch the relay are disabled. Disabling the Latch commands can be useful in applications where you want to eliminate the possibility of inadvertently entering a latch command leaving a gate open/closed, etc. The momentary relay activation command is still allowed.

Factory Setting: Enabled

19. SIP Paging Volume

The SIP Paging Volume can be set from 0 - 19, 0 = lowest volume setting, 19= highest volume setting. Adjusting this will set the volume level for SIP Paging. **Factory Setting:** 1

20. Ring Volume

When the Inbound Call Mode (see Programming section 22) is set to Ring, the **40-IP** will output a loud ring when it is called. The volume level of the loud ring can be adjusted from 0 - 19. **Factory Setting:** 5

21. SIP Page Length Timeout

This feature selects the maximum length of time that SIP Page calls can be connected. Programmable in increments of 1 minute up to a maximum of 9 minutes or disabled. With the call length disabled, the **40-IP** speaker must rely on a call ended signal or touch tone # to hang-up. **Factory Setting:** 3 minutes

22. Multicast Page Length Timeout

The Paging Length Time Out can be programmed from 1 - 255 seconds in one second increments. The Time Out can also be disabled, allowing any length of Multicast page or continuous background music. When using standard Multicast Paging, a timeout checkbox can be individually enabled or disabled for each multicast paging group (on the “Codes/Paging” tab). When using Polycom Multicast Paging, the timeout checkbox enables the timeout globally on groups 1 through 24. There is no timeout for a page to the emergency group 25. **Factory Setting:** 180 seconds.

23. Inbound Call Mode

The Inbound Call Mode determines how the **40-IP** handles incoming SIP calls. One option is to generate a loud ring sound through the speaker. The **40-IP** can also auto answer the call, to allow remote control of the relay and the ability to transmit a page. The “secure” option for auto answer requires the callers to dial the access code in order to transmit a page. **Factory Setting:** Auto Answer

Disabled – Inbound SIP calls are not allowed.

Auto Answer – Inbound SIP calls are auto answered on the first ring and can page over the speaker.

Auto Answer Secure – Inbound SIP calls are auto answered and the caller must dial the access code in order to make a page from the unit.

Ring: In the “Ring” mode the speaker will not automatically answer an incoming call but will output a loud ring signal out of the speaker in a factory programmed 2 seconds on, 4 seconds off ring pattern. There are 4 available ring cadences.

24. Ring Cadence

When the **40-IP** is set to loud ring on incoming SIP calls, you can select the ring cadence of the loud ring sound. It can be programmed to one of four different cadences. **Factory Setting:** Normal Ring

Normal Ring (single ring: 2 seconds ON, 4 seconds OFF) factory setting

Double Ring (double ring: 1 second ON, 0.5 second OFF, 1 second ON, 3.5 seconds OFF)

Short-Short-Long (triple ring: 0.5 second ON, 0.5 second OFF, 0.5 second ON, 0.5 second OFF, 1 second ON, 3 seconds OFF)

Short-Long-Short (triple ring: 0.5 second ON, 0.5 second OFF, 1 second ON, 0.5 second OFF, 0.5 second ON, 3 seconds OFF)

25. LED Mode

The LED on the **40-IP** can be programmed to one of three different modes. **Factory Setting:** Paging

OFF Mode: In this mode the LED will not light during normal operation. It will only light (blink) if it cannot register with the programmed SIP server or while manually resetting all network parameters to factory default. This is useful as an alarm to show that the speaker is not registered.

On Mode: The LED will remain ON when the unit is powered and registered. The LED will flash if registration is lost and alarm is active.

Paging Mode: The LED will remain OFF in the idle state. The LED will light steady during SIP or Multicast paging.

26. SIP Line Out

When SIP Line Out is set to enabled, SIP page audio will be heard from the Line Level Output. When this feature is disabled, the Line Level Output is muted during SIP page calls. The Line Level Output still receives multicast audio and the speaker still receives SIP page audio when the SIP Line Out is disabled. **Note:** With "SIP Line Out" disabled, "Line In" audio will be present on the "Line Out" terminals. **Factory Setting:** Enabled

27. DTMF Regeneration

When DTMF Regeneration is Enabled, any touch tones entered by the caller (in band or out of band) will be passed along to the line out, speaker out and speaker. These tones are used by a zone controller or external amplifier to choose which zone to send the page audio to. **Factory Setting:** Disabled

28. Pre Page Tone

When enabled, a short beep will be heard prior to SIP or standard Multicast paging audio. The volume of the Pre Page Alert Tone will match the volume setting of the SIP or standard Multicast page. **Factory Setting:** Enabled

Viking IP Programming - V1.2.7 - 40-IP Mode

Name: VIKING_MK64_Vik02 MAC: 18:E8:0F:50:2F:B8 IP: 192.168.210.30

Night Ring Codes / Paging Speaker Settings IP Settings VLAN Alarm / Firmware / Info / Tools

Dynamic IP Settings

Unit IP Address 192.168.210.30

Subnet Mask 255.255.255.0

Gateway IP Address 192.168.210.18

DNS Server IP Address 192.168.210.253

Firmware Versions

IP R8.11.1912 Update IP

Unit V3.0 Update Unit

Import / Export

Import Data Export Data

SIP / Network Failure Alarm

SIP Registration Status Not Registered

Current Alarm Status **Activated - SIP**

Alarm Muted Mute Current / Next Alarm

Permanent Alarm Mute Alarm Tones Disabled

Default Unit Settings

Clear Speaker Settings Clear IP Settings

Diagnostics

Test Relay Activation Read Relay Status

Last Read Relay Status

Programming Username and Password

Programming Set Username and Password

Apply Disconnect

29. Mute Current / Next Alarm

A network failure alarm will be indicated by providing 3 beeps over the speaker, the Speaker Out and Line Out every 30 seconds but only when Permanent Alarm Mute is set to Alarm Tones Enabled (Permanent Alarm Mute is set to Alarm Tones Disabled by default). A network failure indicates the unit is not registered to the SIP server or there is a communication failure with the gateway. The three beeps can be muted by clicking on “Mute Current / Next Alarm” button in the IP Programming software or pressing and holding the Reset button for 5 seconds. The Status LED will continue to flash to assist troubleshooting. The alarm beeps can also be permanently disabled. See Permanent Alarm Mute. **Factory Setting:** Disabled

30. Permanent Alarm Mute

Permanent Alarm Mute is set to Alarm Tones Disabled by default, so network failure alarms will not be indicated over the speaker, the Speaker Out or Line Out. Only the status LED will flash to indicate the network failure. To enable alarm tones over the audio outputs, select Alarm Tones Enabled.

31. Program a Username and Password to restrict Access to Programming

To increase security, a username and password can be programmed to limit access to the **40-IP** using Viking IP Programming software. When no username and password are programmed and the security code is still set to default (845464), the PC software will not require a username, password or security code when connecting to the **40-IP**. If the **40-IP** has been programmed with a username and password, a pop up window will ask for the username followed by the password. If the unit’s security code has been changed from default (845464), it will then prompt for the correct security code.

If the username and password are unknown, they can only be erased by resetting all network parameters to default with the Reset button (see section E on page 9). If the username and password are known but you wish to erase them, that can be accomplished by exporting the data from the **40-IP**, resetting all network parameters to default with the Reset button (see section E on page 9) or clicking on “Clear IP Settings” and then importing the data back into the **40-IP**.

32. IP Firmware

Update IP is currently not available. The ability to update IP firmware will be made available in a later release of Viking IP Programming software. If an IP firmware update is needed, Viking Technical Support will assist in updating the IP firmware.

33. Unit Firmware

If new unit firmware is available, after opening the programming software a pop up window will ask if you would like to update the firmware. Another way to update is accomplished by clicking the “Update Unit” button. You can then browse to the folder that contains the HEX file for updating the unit’s firmware. This method is typically only used when Viking Technical Support has sent you updated firmware.

34. Import/Export

The Import/Export feature is useful for backing up all the **40-IP’s** programming or for importing programming when installing multiple units with a majority of the same programming.

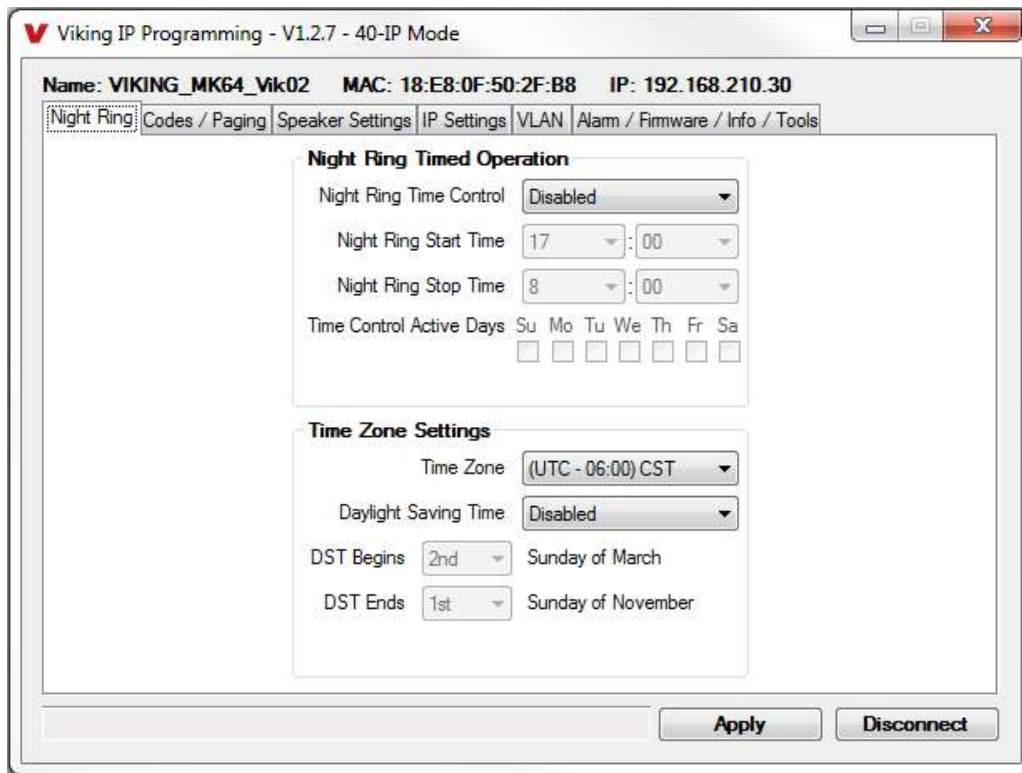
35. Clear Speaker Settings

Clicking on the “Clear Speaker Settings” button in programming will reset all of the programming features back to their factory default settings, including setting the unit’s security code back to the default value (845464).

Note: This command will not change or reset your IP settings or Multicast paging settings.

36. Clear IP Settings

Clicking on the “Clear IP Settings” will reset all of the IP settings back to their factory default settings. This also clears Multicast IP address / port settings and erases any username and password programmed in the unit to restrict access to programming. **Note:** *This will not affect any speaker settings.*



37. Night Ring Timed Operation

When Night Ring Timed Operation is enabled, if a SIP call is received during the programmed Start and Stop times, the **40-IP** will output loud ring through the speaker, Line Out and Speaker Out terminals. This is selectable for each day of the week. When outside of the Night Ring timing window, the Inbound Call Mode setting will determine how SIP calls are handled. **Note:** *For timed Night Ringing the unit must be synced with a time server. If the Night Ringing feature is enabled in the software you will be asked to use Viking’s Time Server when changes are applied. The address will be entered by the software automatically.*

38. Time Zone Settings

When using the Night Ring Timed Operation, the **40-IP** must be synced with the network time. Set the Time Zone Settings to match the settings on the network the unit is connected to for proper timed operation.

39. Line In

The Line In terminals can be connected to an audio source (PC, Radio, etc.) to provide low priority background music. If any SIP / Multicast paging is active, the Line In audio is muted until the end of the page. This is a Mono audio connection. If a stereo audio source is used, connect only the left channel.

A. Inbound SIP Calls

How inbound SIP calls are handled depends on the Inbound Call Mode selected (see Programming section 23), the current programming for Night Ring Timed Operation if enabled (see Programming section 37), the current time of day and day of week. If Night Ring Timed Operation is disabled and the Inbound Call Mode is set to Auto Answer, the **40-IP** will automatically answer inbound calls, provides a Pre Page Alert Tone if enabled and allows paging. When the Inbound Call Mode is set to Auto Answer – Secure, the **40-IP** auto answers inbound calls but the party must dial the Access Code before they are allowed to page. The Inbound Call Mode also has a Ring option that allows the unit to output a loud ring on any inbound SIP calls and the volume of the ring is adjustable (see Programming section 20). If Night Ring Timed Operation is enabled and an inbound SIP call is received between the programmed start and stop times and the current day is a programmed active day, the unit will automatically output a loud ring instead of following the Inbound Call Mode programming. This allows for loud ring at certain times of the day/days of the week and paging all other times/days of the week.

B. Multicast

The **40-IP** can be set to one of two modes for multicasting, Standard or Polycom. Polycom is only used when Polycom IP phones are used. To change to Polycom multicast, go to the “Speaker Settings” tab and change the “Multicast Page Type” to Polycom.

Standard Multicast Paging (Factory Setting)

Up to 10 multicast paging groups can be programmed into each unit and each group is assigned a priority level allowing simultaneous arriving multicast pages to be handled based on importance. Low priority groups are often used for low priority streams like background music and high priority groups are used for high priority streams such as emergency messages. Group 0 is the highest priority, and Group 9 is the lowest. A timeout limit can be set and either enabled or disabled for each multicast group. The volume of each group can be programmed and SIP calls can be assigned either higher or lower priority than all or some of the multicast groups (see Programming section 10).

Polycom Multicast Paging

Polycom phones send multicast audio to a specific IP address and port. A total of 25 groups can be used and groups 1 through 24 can individually be enabled/disabled in each 40-IP. Group 25 is always enabled, as group 25 is generally used for emergency broadcasts. Any multicast page made from a Polycom phone (on the same LAN) to the programmed IP address, port and to an enabled group will play through the 40-IP speaker. The priority of Polycom sources ranges from group 1 (lowest) to group 25 (highest). SIP pages can be assigned either higher or lower priority than Polycom group 1 through 24 multicast paging (see the table in programming section 10 for Polycom paging priorities). Multicast page timeout can be enabled/disabled globally for groups 1 through 24 (there is no timeout for group 25) and the length of the Multicast page timeout is adjustable. The volume for Polycom multicast is set globally for all groups.

C. Optional RC-4A Relay Operation Commands (Relay Mode must be set to “Door Strike”)

The following commands can be entered after an inbound SIP call from the **40-IP**, when the Inbound Call Mode is set to auto answer. After the unit auto answers the call, one beep will be heard if Pre Page Alert Tone is enabled. If the Access Code has been disabled, you can now enter the Operation Commands listed below. If an Access Code has been programmed, enter the Access Code digits. Once the correct code has been entered, two beeps will be heard and you can now enter the Operation Commands listed below.

Feature	Tone Tone Command	Description
Activate Relay	** or __ __	Momentarily activate relay (1 or 2 digits, factory set to **).
Un-Latch Relay	*0	Un-latch* (deactivate) the relay.
Latch Relay	*1	Latch* (continuously activate) the relay.
Disconnect	#	Disconnects or forces the speaker to hang up.

* **Note:** Latching commands must be enabled in programming.

Troubleshooting

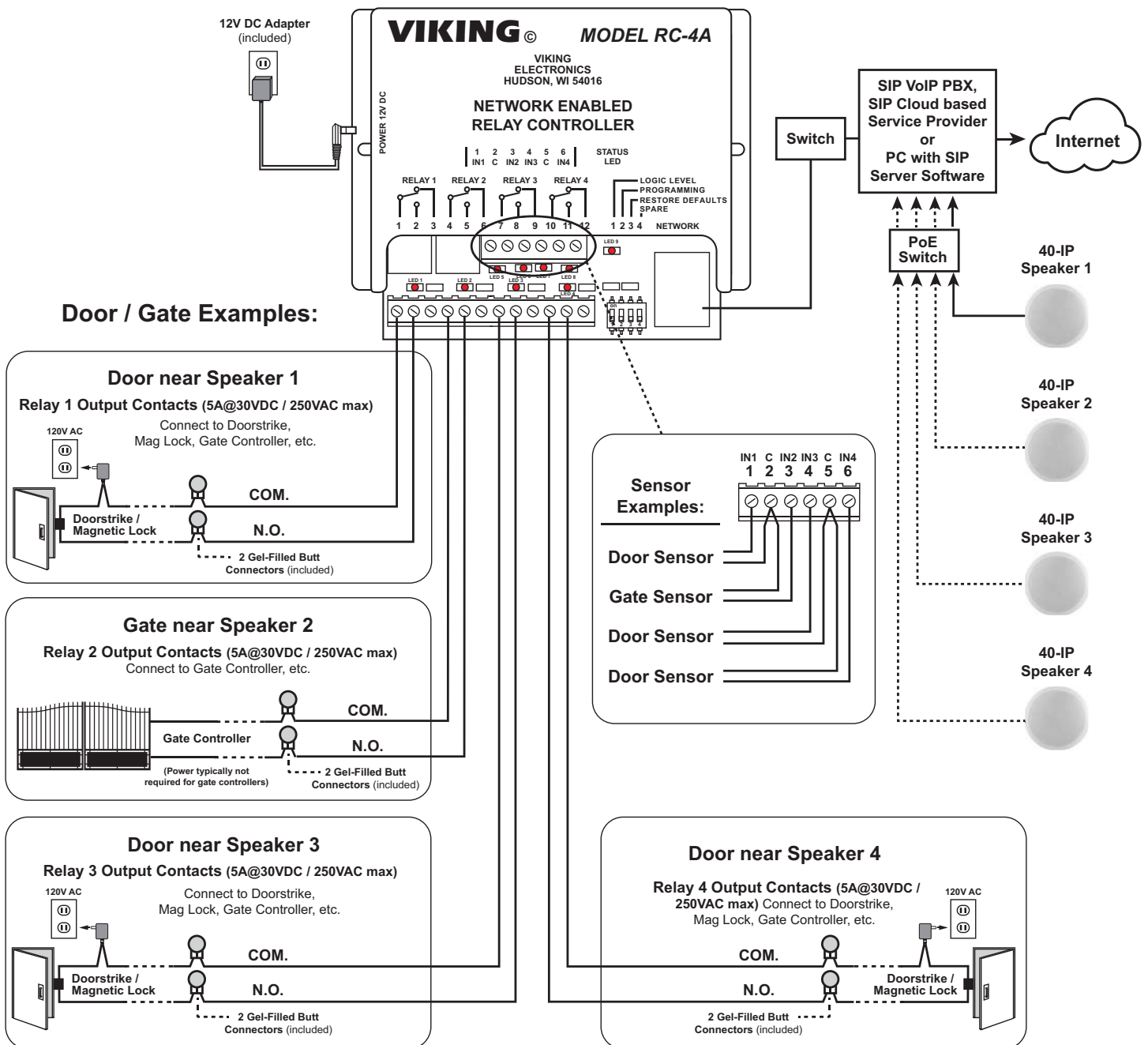
If the unit cannot register with the programmed SIP server, the LED will blink on and off every two seconds until communication is restored. This alerts a potential user of a problem with the device that will prevent a page from being made.

Optional Secure Remote Relay Control using Viking Model RC-4A

For applications requiring secure relay control a Viking model **RC-4A** remote relay controller can be used. The relay controller is mounted securely inside the building and connected to the same LAN as the **40-IP**. The **40-IP** will send an encrypted message to the **RC-4A** to activate its relays which control the door strikes/gates.

Up to 4 **40-IP**'s can communicate with one **RC-4A** allowing you to securely control four entrances.

When using an **RC-4A** for remote relay control the **40-IP**'s relays must be set to "External" (see Programming section 12). For more information on the **RC-4A**, see **DOD 582**.



IP Ceiling Speaker for SIP Endpoint Paging or Multicast Paging / Background Music, and Making Standard or Emergency SIP Calls

The Viking model **40TB-IP** Talk-Back Ceiling/Wall Speaker enables two-way conversations via SIP and also allows for standard paging and background music via multicast. The Talk-Back Speaker easily connects with a single CAT5/6 cable from your PoE switch. Its shallow depth allows the speaker to be conveniently mounted in a standard 2" x 4" stud wall or ceiling.

An auxiliary switch input allows a hard wired wall button to initiate a SIP call. Alternately, an optional wireless Bluetooth remote call button can be used (Viking model **BTR-3**, sold separately). A momentary button press will initiate a standard call, and holding the button for 3 or more seconds will initiate an emergency call. The remote can also be used to adjust the speaker volume. The LED on the **40TB-IP** can be programmed to blink when there is call activity.

The integrated microphone enables talk-back and also monitors room noise to automatically increase speaker volume when necessary. Line-level audio output connections are provided for connecting to an external amplifier. Speaker output connections are also provided to directly drive additional analog speakers. A programmable relay output is provided for activating door locks, strobe lights, external amplifiers, etc.



For more information on the **40TB-IP**, see DOD 502.

PoE Powered VoIP Endpoint Interfaces Analog Paging Systems with SIP and Multicast Paging Sources

The Viking model **PA-IP** SIP / Multicast Paging Adapter provides an interface between new VoIP phone systems (hardware or hosted/cloud based) and analog paging systems, eliminating the need for an ATA or FXS port. The **PA-IP** can be used for standard SIP endpoint paging or multicast paging and background music.

The unit easily connects with a single CAT5/6 cable from your PoE switch. The night bell feature is programmable for time of day and day of week to enable loud ringing for after hour incoming calls. Alternatively the night bell feature can be enabled by a contact closure across the trigger input terminals. Line-level audio output connections are provided for connecting to an external amplifier.

A built-in 6 Watt class D amplifier with speaker output connections are also provided to drive up to 6 analog speakers. A programmable relay output is provided for triggering external amplifiers, etc.



For more information on the **PA-IP**, see DOD 505.

Viking Analog Speakers

The **25AE**, **30AE**, **35AE**, and **40AE** paging speakers provide additional economical paging coverage to existing Viking paging units (**40-IP**, **PA-2A**, **PA-15**, **PA-30**, **PA-60**, **HF-3W**, **M2W**) or to any system with an 8 Ohm output.

In outdoor, factory or warehouse environments, **25AE** paging horns are the best method of producing understandable sound. In these environments the directional

design allows the installer to focus the sound cone down aisles and toward work areas.

In office and restaurant environments, it is best to distribute sound more evenly. Ceiling mounted **30AE**, **35AE**, or **40AE** speakers in close proximity offer the best distribution and are cost effective. The **35AE** speakers include a volume control.



30AE/35AE Ceiling Speakers

- White metal grill for flush mounting in office ceilings
- Mounting hardware included
- Excellent frequency response
- **35AE** includes a volume control

40AE Ceiling Speakers

- Attractive with a modern look
- Flush mounts into a 9.5" to 10" diameter hole
- Integral mounting system
- Excellent sound quality

25AE Paging Horn

- Adjustable base for easy mounting and directional adjustment
- Compact design for discreet mounting

300AE Paging Horn

- 30 Watt 8 Ohm / 70V Paging Horn

Control Relay Contacts Across a Local Area Network

The **RC-4A** Network Enabled Relay Controller provides networked control of four relays via an easy-to-use web interface. The same interface can be used to check the status of four contact closure inputs. Relays can be toggled on or off, or user-programmed timed closures can be activated.

The **RC-4A** can be configured to work as a remote relay for Viking VoIP series entry phones, controlling door strikes and gates when a remote relay is required for security reasons. It can also be programmed to send an email or text message in response to a change in one or more of the sensor inputs.

For more information on the **RC-4A**, see **DOD 582**.



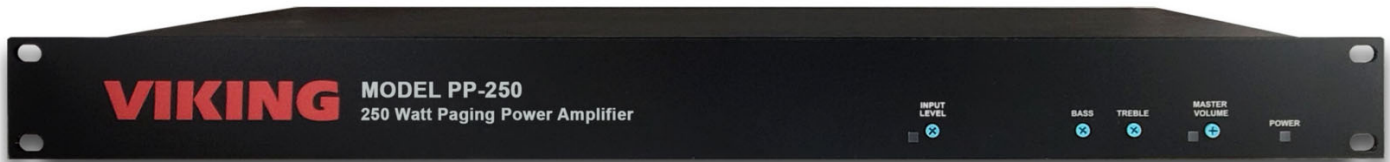
Tile Bridge for Ceiling Speakers

The **SA-TBA** is a tile bridge designed to mount 8 inch loud speaker and bridges both 2 ft x 2 ft and 2 ft x 4 ft ceiling tiles. It is compatible with the Viking models **SA-1S**, **30AE**, **35AE**, and **40AE** speakers. The **SA-TBA** tile bridge is constructed of 24 gauge cold rolled steel with an electro galvanized rust-resistant finish. For more info, see **DOD 534**.



Related Products

250 Watt/70V Paging Power Amplifier



Model PP-250

For more info, see **DOD 511**.

The **PP-250** is a 250 Watt 70V Paging Power Amplifier that can drive up to two hundred fifty (250) 70V speakers and/or paging horns (each speaker set to "1 Watt tap"). The small 1U rack size chassis is possible because the **PP-250** uses new amplifier technology that is 3 times more efficient than old designs competitors use. The high efficiency of the **PP-250** means much less heat dissipation, smaller size, higher reliability, and lower cost.

The **PP-250** can be used to add power amplification to a phone system paging port, Viking's remote access device (**RAD-1A**), clock controlled tone generators (**CTG-1A**, **CTG-2A**), mass notification announcer (**DNA-510**), digital announcers (**DVA-2WA**, **K-2000-DVA**), zone paging controller (**ZPI-4**), or to expand the paging power capability of these Viking products: **PA-IP**, **PA-2A**, **PA-15**, **PA-30**, **PA-250**, and **PA-250-IP**.

60 Watt Compact Two Zone Amplifier to Drive up to 60 Paging Speakers

The **PA-60** can directly drive up to sixty (60) 8 Ohm paging speakers or one hundred (100) 70 volt or 25 volt paging speakers. Both channels can be fed the same input so the **PA-60** can be used as a single large amplifier, or each channel can be fed different inputs so the **PA-60** can be used as a two zone amplifier.

This small and lightweight chassis design is possible by utilizing new amplifier technology that is 300% less inefficient than old designs competitors use. High efficiency means much less heat disipation, smaller size, higher reliability, and lower cost.

Since each input has its own gain adjustment, one zone can be turned up louder for warehouse paging horn speakers, and the other zone can be turned down for office ceiling speakers. Two zones can also be helpful for installations in which one group of speakers is connected to a source that provides background music using the Viking **PI-1A** Paging Interface unit, and the other zone provides only paging.



Model PA-60

For more info, see **DOD 493**.

The Viking models **CTG-1A** or **CTG-2A** can be used to add clock controlled tones with paging to both zones, or one zone can have just paging and be free of the time scheduled alert tones. The same can be done with the Viking model **MTG-10** in which one zone can have just paging, and the other zone can have paging plus the 10 different siren, warble, and chime tones that the **MTG-10** can provide.

One or two **PA-60**'s can be added to the Viking model **ZPI-4** four zone paging interface to provide either 60 Watts or 120 Watts of total paging power in four zones. The **PA-60** can also be used to add additional paging power to other Viking paging products such as the **PA-2A**, **PA-15**, and **PA-30**.

The **PA-60**'s inputs are transformer coupled so they are floating and isolated. Because of this they can be connected to any line level audio signal, or by turning down the input gain control to unity gain, can be connected directly to the output of another amplifier. This allows the **PA-60** to be connected directly to an existing paging system speaker wire run to extend the run, with up to 60 more speakers.

Warranty

IF YOU HAVE A PROBLEM WITH A VIKING PRODUCT, CONTACT VIKING TECHNICAL SUPPORT: 715-386-8666

Our Technical Support Department is available for assistance Monday through Friday 8:00am to 5:00pm central time. Before you call, please:

1. Know the model number, the serial number and what software version you have (see serial label).
2. Have the Product Manual in front of you.
3. It is best if you are on site.

RETURNING PRODUCT FOR REPAIR

The following procedure is for equipment that needs repair:

1. Customer must contact Viking's Technical Support Department at 715-386-8666 to obtain a Return Authorization (RA) number. The customer MUST have a complete description of the problem, with all pertinent information regarding the defect, such as options set, conditions, symptoms, methods to duplicate problem, frequency of failure, etc.
2. Packing: Return equipment in original box or in proper packing so that damage will not occur while in transit. The original product boxes are not designed for shipping - an overpack box is required to prevent damage in transit. Static sensitive equipment such as a circuit board should be in an anti-static bag, sandwiched between foam and individually boxed. All equipment should be wrapped to avoid packing material lodging in or sticking to the equipment. Include ALL parts of the equipment. C.O.D. or freight collect shipments cannot be accepted. Ship cartons prepaid to:
**VIKING ELECTRONICS
1531 INDUSTRIAL STREET
HUDSON, WI 54016**
3. Return shipping address: Be sure to include your return shipping address inside the box. We cannot ship to a PO Box.
4. RA number on carton: In large printing, write the RA number on the outside of each carton being returned.

RETURNING PRODUCT FOR EXCHANGE

The following procedure is for equipment that has failed out-of-box (**within 10 days of purchase**):

1. Customer must contact Viking's Technical Support at 715-386-8666 to determine possible causes for the problem. The customer MUST be able to step through recommended tests for diagnosis.
2. If the Technical Support Product Specialist determines that the equipment is defective based on the customer's input and troubleshooting, a Return Authorization (RA) number will be issued. This number is valid for fourteen (14) calendar days from the date of issue.
3. After obtaining the RA number, return the approved equipment to your distributor. Please reference the RA number on the paperwork being shipped back with the unit(s), and also the outside of the shipping box. The original product boxes are not designed for shipping - an overpack box is required to prevent damage in transit. Once your distributor receives the package, they will replace the product over the counter at no charge. The distributor will then return the product to Viking using the same RA number.
4. **The distributor will NOT exchange this product without first obtaining the RA number from you. If you haven't followed the steps listed in 1, 2 and 3, be aware that you will have to pay a restocking charge.**

TWO YEAR LIMITED WARRANTY

Viking warrants its products to be free from defects in the workmanship or materials, under normal use and service, for a period of two years from the date of purchase from any authorized Viking distributor. If at any time during the warranty period, the product is deemed defective or malfunctions, return the product to Viking Electronics, Inc., 1531 Industrial Street, Hudson, WI., 54016. Customer must contact Viking's Technical Support Department at 715-386-8666 to obtain a Return Authorization (R.A.) number.

This warranty does not cover any damage to the product due to lightning, over voltage, under age, accident, misuse, abuse, negligence or any damage caused by use of the product by the purchaser or others. This warranty does not cover non-EWP products that have been exposed to wet or corrosive environments. This warranty does not cover stainless steel surfaces that have not been properly maintained.

NO OTHER WARRANTIES. VIKING MAKES NO WARRANTIES RELATING TO ITS PRODUCTS OTHER THAN AS DESCRIBED ABOVE AND DISCLAIMS ANY EXPRESS OR IMPLIED WARRANTIES OR MERCHANTABILITY OR FITNESS FOR ANY PARTICULAR PURPOSE.

EXCLUSION OF CONSEQUENTIAL DAMAGES. VIKING SHALL NOT, UNDER ANY CIRCUMSTANCES, BE LIABLE TO PURCHASER, OR ANY OTHER PARTY, FOR CONSEQUENTIAL, INCIDENTAL, SPECIAL OR EXEMPLARY DAMAGES ARISING OUT OF OR RELATED TO THE SALE OR USE OF THE PRODUCT SOLD HEREUNDER.

EXCLUSIVE REMEDY AND LIMITATION OF LIABILITY. WHETHER IN AN ACTION BASED ON CONTRACT, TORT (INCLUDING NEGLIGENCE OR STRICT LIABILITY) OR ANY OTHER LEGAL THEORY, ANY LIABILITY OF VIKING SHALL BE LIMITED TO REPAIR OR REPLACEMENT OF THE PRODUCT, OR AT VIKING'S OPTION, REFUND OF THE PURCHASE PRICE AS THE EXCLUSIVE REMEDY AND ANY LIABILITY OF VIKING SHALL BE SO LIMITED.

IT IS EXPRESSLY UNDERSTOOD AND AGREED THAT EACH AND EVERY PROVISION OF THIS AGREEMENT WHICH PROVIDES FOR DISCLAIMER OF WARRANTIES, EXCLUSION OF CONSEQUENTIAL DAMAGES, AND EXCLUSIVE REMEDY AND LIMITATION OF LIABILITY, ARE SEVERABLE FROM ANY OTHER PROVISION AND EACH PROVISION IS A SEPARABLE AND INDEPENDENT ELEMENT OF RISK ALLOCATION AND IS INTENDED TO BE ENFORCED AS SUCH.

If trouble is experienced with the **40-IP** Speaker, for repair or warranty information, please contact:

Viking Electronics, Inc., 1531 Industrial Street, Hudson, WI 54016 Phone: 715-386-8666

WHEN PROGRAMMING EMERGENCY NUMBERS AND (OR) MAKING TEST CALLS TO EMERGENCY NUMBERS:

Remain on the line and briefly explain to the dispatcher the reason for the call. Perform such tests in off-peak hours, such as early morning or late evenings.

PART 15 LIMITATIONS

This equipment has been tested and found to comply with the limits for a Class A digital device, pursuant to Part 15 of the FCC Rules. These limits are designed to provide reasonable protection against harmful interference when the equipment is operated in a commercial environment. This equipment generates, uses, and can radiate radio frequency energy and, if not installed and used in accordance with the instruction manual, may cause harmful interference to radio communications. Operation of this equipment in a residential area is likely to cause harmful interference in which case the user will be required to correct the interference at his own expense.

CANADA

This class A digital apparatus complies with Canadian ICES-003. Cet appareil numerique de la classe A est conforme a la norme NMB-003 du Canada.

Product Support: 715-386-8666

Due to the dynamic nature of the product design, the information contained in this document is subject to change without notice. Viking Electronics, and its affiliates and/or subsidiaries assume no responsibility for errors and omissions contained in this information. Revisions of this document or new editions of it may be issued to incorporate such changes.